

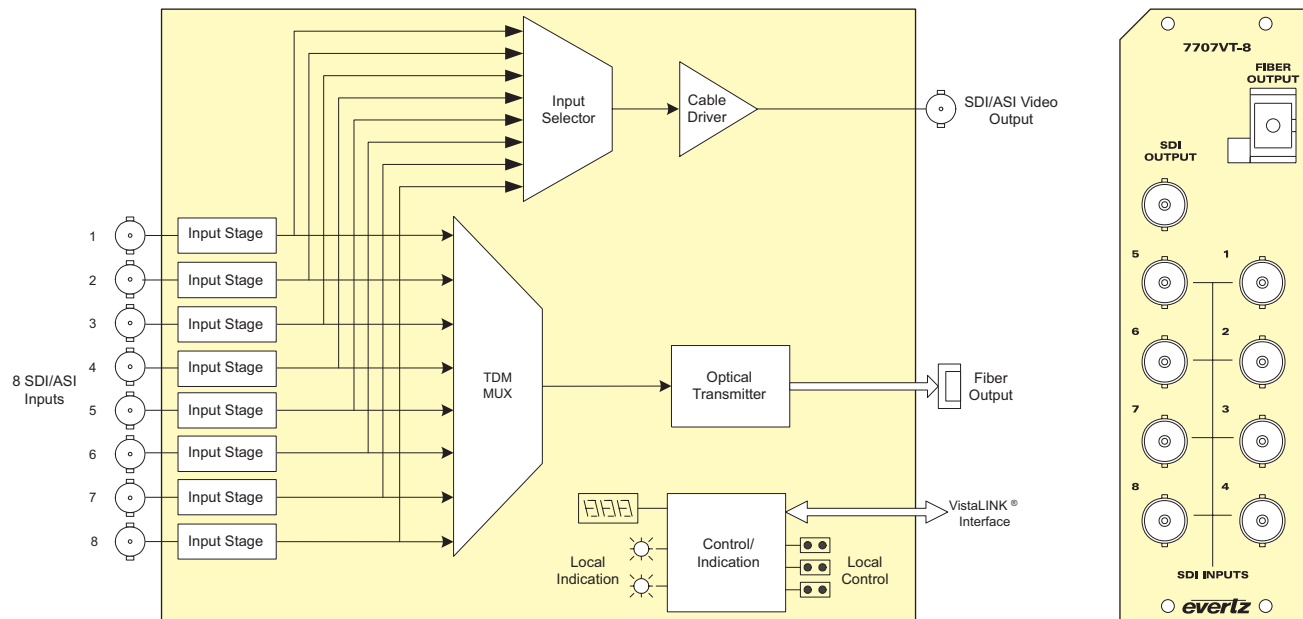
# 7707VT-8

## Eight Channel SDI/ASI Fiber Transmitter



### ►Features & Benefits

- Multiplexor for eight synchronous or asynchronous 270Mb/s SDI, DVB-ASI or SDTi video signals
- Signal transport uninterrupted by loss of any SDI, DVB-ASI or SDTi input feed
- Transparently passes embedded AES or any other data in the horizontal or vertical ancillary data space
- Comprehensive signal and card status monitoring via four digit card edge display or remotely through SNMP and VistaLINK®
- Occupies two card slots and can be housed in either a 1RU frame which will hold up to 3 modules, a 3RU frame which will hold up to 7 modules, 3RU portable frame that holds up to 3 modules or a standalone frame which will hold 1 module
- VistaLINK® capability is available when modules are used with the 3RU 7800FR frame and a 7700FC VistaLINK® Frame Controller module in slot 1 of the frame
- Automatic coaxial equalization up to 250m at 270Mb/s (Belden 8281)
- Fully hot-swappable from front of frame with no fiber/coax disconnect/reconnect required
- Supports single-mode and multi-mode fiber optic cable (contact factory for multi-mode applications)
- Optical output wavelengths of 1310nm, 1550nm and up to 16 CWDM wavelengths
- DWDM wavelengths also available
- SC/PC, ST/PC, FC/PC fiber connectors available
- Input selection feature allows user to route 1 of the 8 incoming video signals to the SDI output



### ►Specifications

|  |  |   |
|--|--|---|
| <b>Serial Video Input:</b><br>Standard: SMPTE 259M, SMPTE 305M, DVB-ASI<br>Number of Inputs: 8 independent SDI, SDTi or DVB-ASI 270Mb/s signals<br>Connector: 8 BNC per IEC 61169-8 Annex A<br>Equalization: Automatic to 250m @ 270Mb/s with Belden 8281 or equivalent cable<br>Return Loss: > 15dB up to 270Mb/s   | <b>Optical Output:</b><br>Number: 1<br>Connector: Female SC/PC, ST/PC or FC/PC<br>Return Loss: > 14dB<br>Wideband Jitter: < 0.2 UI<br>Fiber Size: 9µm core/125µm overall<br>Wavelengths:<br>Standard: 1310nm, 1550nm (nominal)<br>CWDM: 1270nm to 1610nm<br>DWDM: C-Band (ITU-T G.694.1 compliant)<br>(See Ordering Information) | <b>Electrical:</b><br>Voltage: +12V DC<br>Power: 12W (Non DWDM), 15W (DWDM)   |
| <b>Serial Video Output:</b><br>Standards: SMPTE 259M, SMPTE 305M, DVB-ASI<br>Number of Outputs: 1 Independent SDI, SDTi or DVB-ASI 270Mb/s signal<br>Connectors: 1 BNC per IEC 61169-8 Annex A<br>Signal Level: 800mV(nominal)<br>DC Offset: 0V ±0.5V<br>Rise and Fall Time: 900ps(nominal)<br>Overshoot: < 10% of amplitude<br>Return Loss: > 15dB to 270Mb/s<br>Wide Band Jitter: < 0.2 UI | Output Power:<br>1310nm FP(Standard): -6dBm ±1dBm<br>1550nm & CWDM DFB: 0dBm ±1dBm<br>DWDM DFB: 7dBm ±1dBm   | <b>Physical (number of slots):</b><br>350FR: 2<br>7700FR-C: 2<br>7800FR: 2  |
|  |  | <b>Compliance:</b><br>Laser Safety: Class 1 laser product<br>Complies with 24 CFR 1040.10 and 1040.11<br>IEC 60825-1<br>EMI/RFI: Complies with FCC Part 15, Class A<br>EU EMC directive |

### ►Ordering Information

**7707VT13-8** Eight SDI/ASI Mux Fiber Transmitter, 1310nm FP, Laser, VistaLINK®  
**7707VT15-8** Eight SDI/ASI Mux Fiber Transmitter, 1550nm DFB Laser, VistaLINK®

*For CWDM, please refer to the end of the fiber section for ordering information*  
**7707VTxx-8** Eight SDI/ASI Mux Fiber Transmitter, CWDM Laser, VistaLINK®

*For DWDM, please refer to the end of the fiber section for ordering information*  
**7707VTDxxx-8** Eight SDI/ASI Mux Fiber Transmitter, DWDM Laser, VistaLINK®

**Ordering Options** Rear Plate and Fiber Connector must be specified at time of order  
 Eg: Model +SC +3RU

**Rear Plate Suffix**  
**+3RU** 3RU Rear Plate for use with 350FR, 7700FR-C or 7800FR Multiframe  
**+1RU** 1RU Rear Plate for use with 7701FR Multiframe  
**+SA** Standalone Enclosure Rear Plate

**Connector Suffix**  
**+SC** SC/PC  
**+ST** ST/PC  
**+FC** FC/PC

**Enclosures**  
**350FR** 3RU Portable Multiframe which holds up to 7 single slot modules  
**7700FR-C** 3RU Multiframe which holds up to 15 single slot modules  
**7800FR** 3RU Multiframe which holds up to 15 single slot modules  
**7801FR** 1RU Multiframe which holds up to 4 single or 2 dual slot modules  
**7701FR** 1RU Multiframe which holds up to 3 single or dual slot modules  
**S7701FR** Standalone Enclosure