

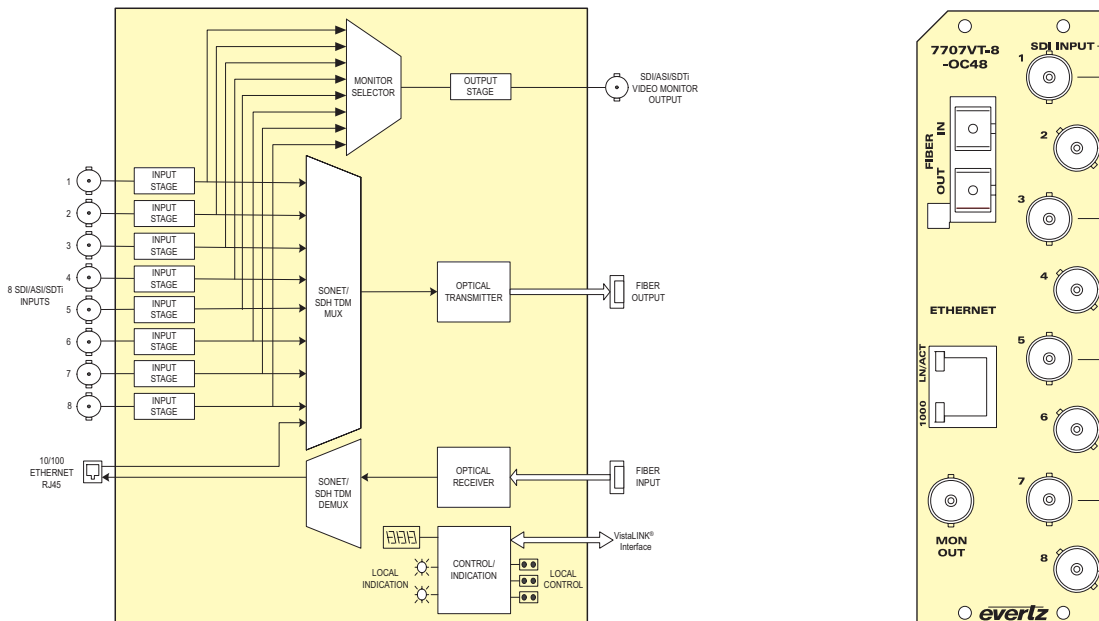
7707VT-8-OC48

Eight Channel SDi + Ethernet SONET / SDH Fiber Transmitter



►Features & Benefits

- Transports signals over OC-48/STM-16 data rates (2.488Gb/s)
- Single card TDM multiplexer for eight asynchronous SD-SDI, SDTi and DVB-ASI signals
- Built-in Ethernet transceiver with one 10/100 Base-T port
- Interfaces directly to SONET/SDH infrastructure
- Uncompressed, full-rate video transport
- Signal transport over fiber uninterrupted by loss of any input feed
- Transparently passes embedded AES or any other data in the horizontal or vertical ancillary data space
- Stratum 3 wander/holdover/jitter compliance
- Wide input frequency range tolerance (± 50 ppm)
- Fully hot-swappable from front of frame
- Supports single-mode and multi-mode fiber optic cable (contact factory for multi-mode applications)
- Optical output wavelengths of 1310nm, 1550nm, and up to sixteen CWDM wavelengths (ITU-T G.694.2 compliant)
- DWDM wavelength (ITU-T G.694.1 compliant) support
- SC/PC, ST/PC, FC/PC connector options
- Comprehensive signal and card status monitoring via four digit card edge display or remotely through SNMP and VistaLINK®
- VistaLINK® capability is available when modules are used with the 3RU 7800FR or 350FR frame and a 7700FC VistaLINK® Frame Controller module in slot 1 of the frame
- Occupies two card slots and can be housed in either a 1RU frame which will hold up to 3 modules, a 3RU frame which will hold up to 7 modules and 350FR portable frame that holds up to 3 modules



►Specifications

Serial Video Input:

Standards: SMPTE 259M-C, DVB-ASI, SMPTE 305M (SDTi)
 Number of Inputs: 8
 Connector: 1 BNC per IEC 61169-8 Annex A
 Equalization: Automatic to 250m @ 270Mb/s with Belden 1694A or equivalent cable > 15dB up to 1.5Gb/s
 Return Loss: > 15dB up to 1.5Gb/s
 Frequency Offset Tolerance: ± 50 ppm

Serial Video Monitor Output:

Standards: SMPTE 259M-C, DVB-ASI, SMPTE 305M, (SDTi)
 Number of Outputs: 1, signal user-selectable from the 8 inputs
 Connector: 1 BNC per IEC 61169-8 Annex A
 Signal Level: 800mV nominal
 DC Offset: 0V ± 0.5 V
 Rise and Fall Time: 900ps nominal
 Overshoot: < 10% of amplitude
 Return Loss: > 12dB
 Wideband Jitter: < 0.2 UI

Optical Output:

Standards: OC-48/STM-16
 Number of Outputs: 1
 Connector: Female SC/PC, ST/PC or FC/PC
 Return Loss: > 14dB
 Wideband Jitter: < 0.2 UI
 Fiber Size: 9 μ m core/125 μ m overall
 Wavelength:
 Standard: 1310nm, 1550nm (nominal)
 CWDM: 1270nm to 1610nm (See Ordering Information)
 DWDM: C-Band (ITU-T G.694.1 Compliant) (See Ordering Information)

Power:

1310nm FP (Standard): -6dBm ± 1 dBm
 1550nm & CWDM DFB: 0dBm ± 1 dBm
 DWDM DFB: +7dBm ± 1 dBm

Optical Input:

Number of Inputs: 1
 Standards: OC-48/STM-16
 Connector: Female SC/PC, ST/PC or FC/PC
 Return Loss: > 25dB

Wavelength: 1270nm to 1610nm
 Maximum Input Power:
 Standard: -1dBm
 High Sensitivity (-H): -8dBm
 Optical Sensitivity:
 Standard: -23dBm

Electrical:

Voltage: +12V DC
 Power: 10W (non DWDM)
 13W (DWDM)

Physical (number of slots):

350FR: 2
 7700FR-C: 2
 7800FR: 2

Compliance:

Laser Safety: Complies with 24 CFR 1040.10 and 1040.11
 EMI/RFI: Complies with FCC regulations for Class A devices
 Complies with EU EMC directive

►Ordering Information

7707VT13-8-OC48 Eight Channel SDI + Ethernet SONET/SDH Fiber Transmitter, 1310nm FP laser, VistaLINK®

For CWDM applications please refer to the end of the fiber section for details

7707VTxx-8-OC48 Eight Channel SDI + Ethernet SONET/SDH Fiber Transmitter, CWDM DFB laser, VistaLINK®

For DWDM applications please refer to the end of the fiber section for details

7707VTDxx-8-OC48 Eight Channel SDI + Ethernet SONET/SDH Fiber Transmitter, DWDM DFB laser, VistaLINK®

Ordering Options Rear Plate and Fiber Connector must be specified at time of order
 Eg: Model +SC +3RU

Rear Plate Suffix

+3RU 3RU Rear Plate for use with 350FR, 7700FR-C or 7800FR Multiframe

Connector Suffix

+SC SC/PC
+ST ST/PC
+FC FC/PC

Enclosures

350FR 3RU Portable Multiframe which holds up to 7 single slot modules
7700FR-C 3RU Multiframe which holds up to 15 single slot modules
7800FR 3RU Multiframe which holds up to 15 single slot modules
7801FR 1RU Multiframe which holds up to 4 single or 2 dual slot modules