

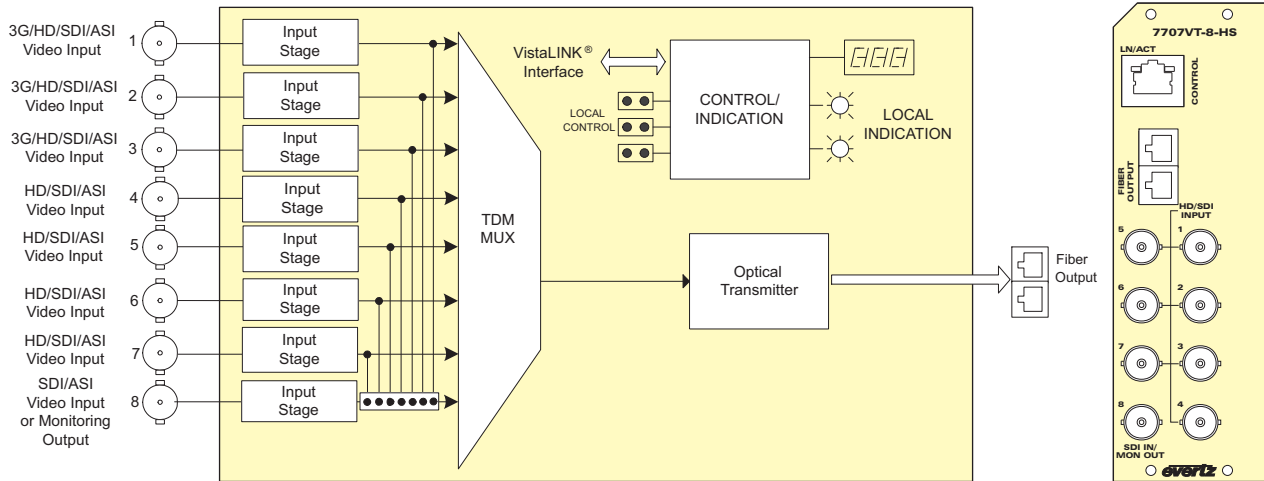
7707VT-8-HS

Eight 3G/HD/SDI/DVB-ASI Fiber Transmitter



Features & Benefits

- Single card TDM multiplexer for 3, 3G-SDI, 7 HD-SDI or 8 SDI-SDI/DVB-ASI signals
- Signal transport over fiber uninterrupted by loss of any HD-SDI, SDI, SDTi or DVB-ASI input feed
- Transparently passes embedded AES or any other data in the horizontal or vertical ancillary data space
- Comprehensive signal and card status monitoring via four digit card edge display or remotely through SNMP and VistaLINK®
- Monitoring output of any input
- Main module fully hot-swappable from front of frame
- VistaLINK® capability is available when modules are used with the 3RU 7800FR, 7700FR-C or 350FR frame and a 7700FC VistaLINK® Frame Controller module in slot 1 of the frame
- Automatic coaxial input equalization up to 70M at 2.97Gb/s, 100m at 1.485Gb/s and 250m at 270Mb/s (Belden 1694A)
- Supports single-mode fiber optic cable (contact factory for multi-mode applications)
- Optical output wavelengths of 1310nm and 1550nm and CWDM wavelengths (ITU-T G.694.2 compliant)
- DWDM wavelengths (ITU-T G.694.1 compliant) also available
- Female LC Duplex Connector
- Occupies two card slots and can be housed in the 3RU 7800FR frame which can hold 7 cards, or the portable 3RU 350FR frame which can hold 3 cards.



Specifications

Serial Video Input:

Number of Inputs: 8
 Standard: SMPTE 424M, ST 292-1, SMPTE 259M-C, DVB-ASI, SDTi
 Connector: 4 BNC per IEC 61169-8 Annex A
 Equalization: Automatic to 70M @ 2.97Gb/s 100m @ 1.485Gb/s and 250m @ 270Mb/s with Belden 1694A or equivalent cable
 Return Loss: > 15dB up to 1.5Gb/s

Serial Video Output:

Number of Outputs: 1, loopback signal user-selectable from above 7 inputs (dual purpose I/O from output 8)
 Connector: BNC per IEC 61169-8 Annex A
 Standards: SMPTE 424M, ST 292-1, SMPTE 259-C, SMPTE 305.2M
 Signal Level: 800mV nominal
 DC Offset: 0V ±0.5V
 Rise and Fall Time: < 270ps at 1.485Gb/s and 900ps nominal at 270Mb/s
 Overshoot: < 10% of amplitude
 Return Loss: > 12dB to 1.5Gb/s
 Alignment Jitter: < 0.2 UI

Optical Output:

Number: 1
 Connector: Female LC Duplex
 Return Loss: > 12dB
 Rise and Fall Time: 200 ps nominal
 Fiber Size: 9mm core/125mm overall
 Wavelengths:
 Standard: 1310nm, 1550nm
 CWDM: 1470nm, 1490nm, 1510nm, 1530nm, 1550nm, 1570nm, 1590nm, 1610nm
 DWDM: D200 - D590

Power & Distance:

	TRANSMITTER		RECEIVER	
	MIN	MAX	DISTANCE w/+S*	DISTANCE w/+H*
1310nm	-6dBm	-1dBm	10km	--
1550nm	-1dBm	+2dBm	40km	--
CWDM	+1dBm	+4dBm	40km	80km
DWDM	-1dBm	+2dBm	40km	80km

*Note: The distance specified above are based on ideal conditions. Please contact the factory to verify actual conditions and infrastructure of your network before ordering.

Electrical:

Voltage: +12V DC
 Power: 20W

Physical (Number of Slots):

7700FR-C: 2
 7800FR: 2
 7701FR: 2

Compliance:

Electrical Safety: CSA Listed to CSA C22.2 No. 60065-03, UL 60065-03 IEC 60065-(2001-12) 7th Edition Complies with CE Low voltage directive 93/68/EEC
 Laser Safety: Complies with 24 CFR 1040.10 and 1040.11 except for deviations pursuant to LN No. 50, dated July 26, 2001
 EMI/RFI: Complies with IEC 60825-1, Am. 2 Complies with FCC regulations for class A devices Complies with EU EMC directive 89/336/EEC

The Complete Solution Provider





Ordering Information

7707VT-8-HS+NF	8 x 3G/HD/SDI/DVB-ASI Fiber Transmitter, VistaLINK® No Fiber
7707VT-8-HS+13	8 x 3G/HD/SDI/DVB-ASI Fiber Transmitter, VistaLINK® 1310nm XFP
7707VT-8-HS+15	8 x 3G/HD/SDI/DVB-ASI Fiber Transmitter, VistaLINK® 1550nm XFP
CWDM & DWDM (Ordering Information)	
7707VT-8-HS+Cxx	8 x 3G/HD/SDI/DVB-ASI Fiber Transmitter, VistaLINK® CWDM XFP
7707VT-8-HS+Dxxx	8 x 3G/HD/SDI/DVB-ASI Fiber Transmitter, VistaLINK® DWDM XFP

Ordering Options Rear Plate and Fiber Option must be specified at time of order (Eg: Model +15+3RU, Model +C57+3RU)

Rear Plate Suffix +3RU 3RU Rear Plate for use with 350FR, 7700FR-C or 7800FR Multiframe

Spare XFP Ordering Options

XFPTTR-13	Optical XFP Transmitter, 10Gbs, 1310nm
XFPTTR-15	Optical XFP Transmitter, 10Gbs, 1550nm
XFPR-S	Optical XFP Receiver, 10Gbs, Standard Sensitivity
XFPTTR-15H	Optical XFP Transceiver, 10Gb/s, High sensitivity, 1550nm
XFPTTR-Cxx	Optical XFP Transmitter, 10Gbs, CWDM Where xx=47 to 61 for CWDM wavelengths
XFPTTR-Dxxx	Optical XFP Transmitter, 10Gbs, DWDM Where xx=200 to 590 for DWDM wavelengths

Accessories

Fiber Optic Patch Cable See CWDM & DWDM Ordering Information Page

Enclosures

350FR	3RU Portable Multiframe which holds up to 7 single slot modules
7700FR-C	3RU Multiframe which holds up to 15 single slot modules
7800FR	3RU Multiframe which holds up to 15 single slot modules
7801FR	1RU Multiframe which holds up to 4 single or 2 dual slot modules