

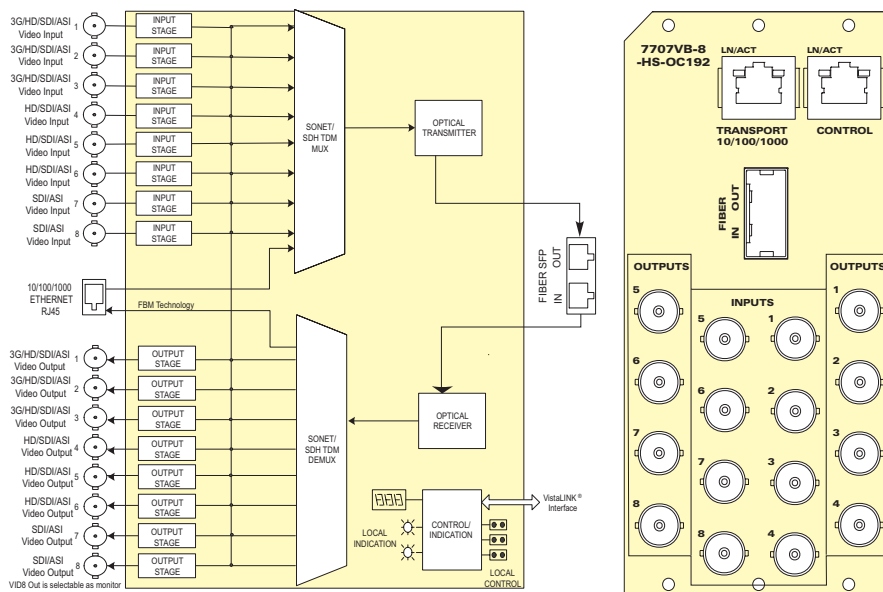
7707VB-8-HS-OC192

Eight Channel 3G/HD/SDI/DVB-ASI + Ethernet SONET / SDH Fiber Transceiver



► Features & Benefits

- Interfaces directly to SONET (OC-192) or SDH (STM-64) infrastructure
- Flexibility to combine video and Ethernet signals to fill SONET/SDH capacity in each direction:
 - Six HD-SDI signals, plus one SDI/DVB-ASI or 10/100/1000 (FBM) Ethernet
 - Five HD-SDI signals, plus two SDI/DVB-ASI and 10/100/1000 (FBM) Ethernet
 - Four HD-SDI signals, plus three SDI/DVB-ASI and 10/100/1000 (full bandwidth) Ethernet
 - Other combinations up to Eight SDI/DVB-ASI, plus 10/100/1000 (full bandwidth) Ethernet
- Full-rate, uncompressed, asynchronous video channels with wide tolerance (+/-50ppm)
- Flexible Bandwidth Management (FBM) to control Ethernet bandwidth allocation
- One loopback (output channel eight), user selectable for monitoring of inputs/outputs
- Pluggable XFP fiber module permits wavelength swapping/sparing
- SONET/SDH jitter performance with Stratum 3 clocking
- Comprehensive signal and card status monitoring via four-digit card-edge display
- VistaLINK® enabled for remote monitoring/control, with two possible interface methods:
 - Using local Ethernet connection on rear-plate (has local SNMP Agent)
 - Using 7700FC VistaLINK® Frame Controller installed in 7700FR-C frame
- Automatic coaxial equalization up to 70m at 2.97Gb/s, 100m at 1.485Gb/s, and 250m at 270Mb/s (Belden 1694A or equivalent cable)
- Fully hot-swappable from front (main board) and rear (XFP fiber module) of frame
- Optical output wavelengths of 1310nm and 1550nm
- Female LC Duplex fiber connector



Note: Inputs/Outputs 1-3 compatible with 3G/HD
Inputs/Outputs 1-6 compatible with HD

► Specifications

Serial Video Input:

Standards: SMPTE 259M-C, SMPTE 292M, DVB-ASI, SMPTE 305M (SDTi)

Number of Inputs: 8

Connector: 1 BNC per IEC 61169-8 Annex A

Equalization: Automatic to 70m @ 2.97Gb/s, 100m @ 1.485Gb/s, and 250m @ 270Mb/s with Belden 1694A or equivalent

Return Loss: > 15dB up to 1.5GHz
> 10dB to 3GHz

Freq Offset Tolerance: ±50ppm

Serial Video Output:

Standards: SMPTE 259M-C, SMPTE 292M, DVB-ASI, SMPTE 305M (SDTi)

Number of Outputs: 8

Connector: 1 BNC per IEC 61169-8 Annex A

Signal Level: 800mV nominal

DC Offset: 0V ±0.5V

Rise and Fall Time: <135ps (HD/3G)
<900ps (SD)

Overshoot: <10% of amplitude

Return Loss: >15dB to 1.5GHz
>10dB to 3GHz

Alignment Jitter: <0.2UI (Reclocked) to 1.485Gb/s
<0.3UI (Reclocked) to 2.97Gb/s

Optical Output:

Number: 1

Standard: OC-192C/STM-64

Connector: Female LC Duplex

Return Loss: > 12dB

Fiber Size: 9µm core/125mm overall

Wavelengths: 1310nm, 1550nm

Optical Input:

Number of Inputs: 1

Standard: OC-192C/STM-64

Connector: Female LC Duplex

Operating Wavelength: 1310nm and 1550nm

Maximum Input Power: -1dBm

Optical Sensitivity: -11dBm

Electrical:

Voltage: +12V DC

Power: 25W

Physical (Number of Slots):

350FR: 3

7700FR-C: 3

7800FR: 3

Power & Distance:

| | TRANSMITTER | | RECEIVER |
|--------|-------------|-------|-----------|
| | MIN | MAX | DISTANCES |
| 1310nm | -6dBm | -1dBm | 10km |
| 1550nm | -1dBm | +2dBm | 40km |

Compliance:

Electrical Safety: CSA Listed to CSA C22.2 No. 60065-03 IEC 60065-(2001-12) 7th Edition Complies with CE Low voltage directive 93/68/EEC

Laser Safety: Complies with 24 CFR 1040.10 and 1040.11 except for deviations pursuant to LN No. 50, dated July 26, 2001 Complies with IEC 60825-1, Am. 2

EMI/RFI: Complies with FCC regulations for class A devices Complies with EU EMC directive 89/336/EEC

► Ordering Information

| | |
|------------------------------|---|
| 7707VB-8-HS-OC192-13S | 8 x 3G/HD/SDI/DVB-ASI Fiber Transceiver, VistaLINK 1310nm XFP |
| 7707VB-8-HS-OC192-15S | 8 x 3G/HD/SDI/DVB-ASI Fiber Transceiver, VistaLINK 1550nm XFP |

**Rear Plate Suffix
+3RU** 3RU Rear Plate for use with 350FR, 7700FR-C or 7800FR Multiframe

Rear Plate and Fiber Option must be specified at time of order
Examples: Model+13S+3RU, Model+15S+3RU

Spare XFP Ordering Options:

XFPT-13S Optical XFP Transceiver, 10Gbs, 1310nm, 10km standard sensitivity
XFPT-15S Optical XFP Transceiver, 10Gbs, 1550nm, 40km standard sensitivity

Enclosures

350FR 3RU Portable Multiframe which holds up to 2 triple slot modules
7700FR-C 3RU Multiframe which holds up to 15 single slot modules
7800FR 3RU Multiframe which holds up to 15 single slot modules

