

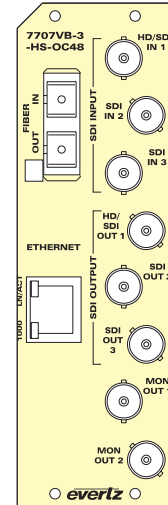
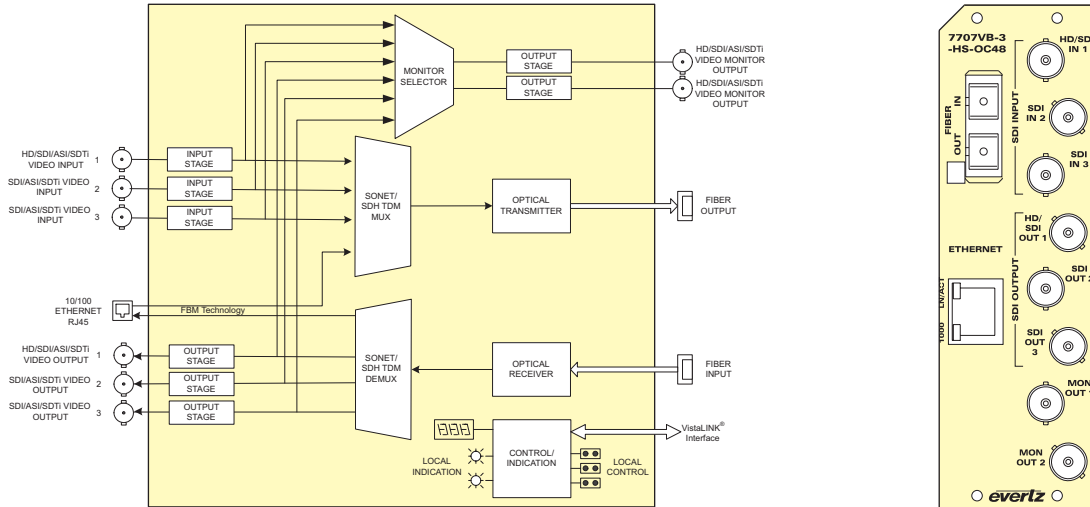


► Features & Benefits

- Transports signals at the OC-48/STM-16 rate
- Single card TDM multiplexer for three bi-directional asynchronous HD-SDI, SDI, DVB-ASI & SDTi signals
- Built-in Ethernet transceiver with 10/100/1000 Base-T compatible port with FBM (Flexible Bandwidth Management) technology
- Interfaces directly to the SONET/SDH infrastructure
- Signal transport over fiber uninterrupted by loss of any input feed
- Transparently passes embedded AES or any other data in the horizontal or vertical ancillary data space
- Stratum 3 wander/holdover/jitter compliance
- Wide input frequency range tolerance (± 50 ppm)
- Fully hot-swappable from front of frame
- Supports single-mode and multi-mode fiber optic cable (contact factory for

multi-mode applications)

- Optical output wavelengths of 1310nm, 1550nm, and up to sixteen CWDM wavelengths (ITU-T G.694.2 compliant)
- DWDM wavelengths (ITU-T G.694.1 compliant) also available
- SC/PC, ST/PC, FC/PC connector options
- Comprehensive signal and card status monitoring via four digit card edge display or remotely through SNMP and VistaLINK®
- VistaLINK® capability is available when modules are used with the 3RU 7800FR or 350FR portable frame and a 7700FC VistaLINK® Frame Controller module in slot 1 of the frame
- Occupies two card slots and can be housed in either a 3RU frame which will hold up to 7 modules or the 350FR portable frame which has a 3 slot capacity



► Specifications

Serial Video Input:

Number of Inputs: 3
Standards:
Input 1 SMPTE 292M, SMPTE 259M-C, DVBAI, SMPTE 305M (SDTi)
Inputs 2 & 3 SMPTE 259M-C, DVB-ASI, SMPTE 305M (SDTi)
Connector: BNC per IEC 61169-8 Annex A
Equalization: Automatic to 100m @ 1.485Gb/s and 250m @ 270MB/s with Belden 8281 or equivalent cable
Return Loss: >15dB up to 270Mb/s
Frequency Offset Tolerance: ± 50 ppm

Return Loss: >15dB up to 1.5Gb/s
Wideband Jitter: <0.2 UI

Optical Output:

Standards: OC-48c/STM-16c
Number of Outputs: 1
Connector: Female SC/PC, ST/PC or FC/PC
Return Loss: >14dB
Wideband Jitter: <0.2 UI
Fiber Size: 9 μ m core/125 μ m overall
Wavelength:
Standard: 1310nm, 1550nm (nominal)
CWDM: 1270nm to 1610nm (See Ordering Information)
DWDM: C-Band (ITU-T G.694.1 compliant) (See Ordering Information)

Maximum Input Power:

Standard: -1dBm
Optical Sensitivity:
Standard: -23dBm

Electrical:

Voltage: +12V DC
Power: 25W (non DWDM)
28W (DWDM)

Physical (number of slots):

350FR: 2
7700FR-C: 2
7800FR: 2

Serial Video Outputs:

Number of Outputs: 3+2 monitor with user selectable source
Standards:
Output 1 & Monitor 1&2 SMPTE 292M, SMPTE 259M-C, DVBAI, SMPTE 305M (SDTi)
Output 2 & 3 SMPTE 259M-C, DVB-ASI, SMPTE 305M (SDTi)
Connector: BNC per IEC 61169-8 Annex A
Signal Level: 800mV nominal
DC Offset: 0V ± 0.5 V
Rise and Fall Time: 150ps nominal @ 1.485Gb/s
600ps nominal @ 270Mb/s
Overshoot: <10% of amplitude

Power:
1310nm FP (Standard): -6dBm ± 1 dBm
1550nm & CWDM DFB: 0dBm ± 1 dBm
DWDM DFB: +7dBm ± 1 dBm

Compliance:

Laser Safety: Complies with 24 CFR 1040.10 and 1040.11 except for deviations pursuant to LN No. 50, dated July 26, 2001/Complies with IEC 60825-1, Am. 2
EMI/RFI: Complies with FCC regulations for Class A devices
Complies with EU EMC directive 89/336/EEC

Optical Input:

Standards: OC-48c/STM-16c
Number of Inputs: 1
Connector: Female SC/PC, ST/PC or FC/PC
Return Loss: > 25dB
Wavelength: 1270nm to 1610nm

► Ordering Information

7707VB13-3-HS-OC48 Triple HD/SDI/ASI/SDTi + Ethernet SONET/SDH Fiber Transceiver 1310nm FP laser (-6dBm), VistaLINK®
7707VB15-3-HS-OC48 Triple HD/SDI/ASI/SDTi + Ethernet SONET/SDH Fiber Transceiver 1550nm DFB laser (0dBm), VistaLINK®

For CWDM applications please refer to the end of the fiber section for details
7707VBxx-3-HS-OC48 Triple HD/SDI/ASI/SDTi + Ethernet SONET/SDH Fiber Transceiver CWDM DFB laser, VistaLINK®

For DWDM applications please refer to the end of the fiber section for details
7707VBDxxx-3-HS-OC48 Triple HD/SDI/ASI/SDTi + Ethernet SONET/SDH Fiber Transceiver DWDM DFB laser, VistaLINK®

Ordering Options Rear Plate and Fiber Connector must be specified at time of order
Eg: Model +SC +3RU

Rear Plate Suffix

+3RU 3RU Rear Plate for use with 350FR, 7700FR-C or 7800FR Multiframe

Connector Suffix

+SC SC/PC
+ST ST/PC
+FC FC/PC

Fiber Optic Patch Cable See CWDM & DWDM Ordering Information Page

Enclosures

350FR 3RU Portable Multiframe which holds up to 7 single slot modules
7700FR-C 3RU Multiframe which holds up to 15 single slot modules
7800FR 3RU Multiframe which holds up to 15 single slot modules
7801FR 1RU Multiframe which holds up to 4 single or 2 dual slot modules