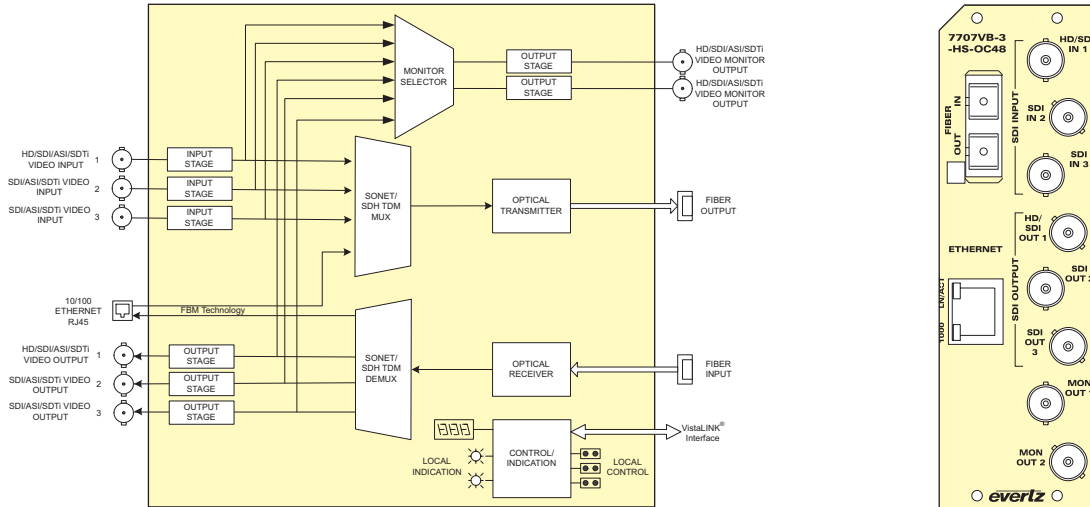




► Features & Benefits

- Transports signals at the OC-48/STM-16 rate
- Single card TDM multiplexer for three bi-directional asynchronous HD-SDI, SDI, DVB-ASI & SDTi signals
- Built-in Ethernet transceiver with 10/100/1000 Base-T compatible port with FBM (Flexible Bandwidth Management) technology
- Interfaces directly to the SONET/SDH infrastructure
- Signal transport over fiber uninterrupted by loss of any input feed
- Transparently passes embedded AES or any other data in the horizontal or vertical ancillary data space
- Stratum 3 wander/holdover/jitter compliance
- Wide input frequency range tolerance (±50ppm)
- Fully hot-swappable from front of frame
- Supports single-mode and multi-mode fiber optic cable (contact factory for

- multi-mode applications)
- Optical output wavelengths of 1310nm, 1550nm, and up to sixteen CWDM wavelengths (ITU-T G.694.2 compliant)
- DWDM wavelengths (ITU-T G.694.1 compliant) also available
- SC/PC, ST/PC, FC/PC connector options
- Comprehensive signal and card status monitoring via four digit card edge display or remotely through SNMP and VistaLINK®
- VistaLINK® capability is available when modules are used with the 3RU 7800FR or 350FR portable frame and a 7700FC VistaLINK® Frame Controller module in slot 1 of the frame
- Occupies two card slots and can be housed in either a 3RU frame which will hold up to 7 modules or the 350FR portable frame which has a 3 slot capacity



► Specifications

**Serial Video Input:**

Number of Inputs: 3  
 Standards:  
 Input 1 SMPTE 292M, SMPTE 259M-C, DVBAI, SMPTE 305M (SDTi)  
 Inputs 2 & 3 SMPTE 259M-C, DVB-ASI, SMPTE 305M (SDTi)  
 Connector: BNC per IEC 61169-8 Annex A  
 Equalization: Automatic to 100m @ 1.485Gb/s and 250m @ 270MB/s with Belden 8281 or equivalent cable  
 Return Loss: >15dB up to 270Mb/s  
 Frequency Offset Tolerance: ± 50ppm

Return Loss: >15dB up to 1.5Gb/s  
 Wideband Jitter: <0.2 UI  
**Optical Output:**  
 Standards: OC-48c/STM-16c  
 Number of Outputs: 1  
 Connector: Female SC/PC, ST/PC or FC/PC  
 Return Loss: >14dB  
 Wideband Jitter: <0.2 UI  
 Fiber Size: 9µm core/125µm overall  
 Wavelength: Standard: 1310nm, 1550nm (nominal)  
 CWDM: 1270nm to 1610nm (See Ordering Information)  
 DWDM: C-Band (ITU-T G.694.1 compliant) (See Ordering Information)

Maximum Input Power:  
 Standard: -1dBm  
 Optical Sensitivity:  
 Standard: -23dBm

**Electrical:**  
 Voltage: +12V DC  
 Power: 25W (non DWDM)  
 28W (DWDM)

**Physical (number of slots):**  
 350FR: 2  
 7700FR-C: 2  
 7800FR: 2

**Serial Video Outputs:**

Number of Outputs: 3+2 monitor with user selectable source  
 Standards:  
 Output 1 & Monitor 1&2 SMPTE 292M, SMPTE 259M-C, DVBAI, SMPTE 305M (SDTi)  
 Output 2 & 3 SMPTE 259M-C, DVB-ASI, SMPTE 305M (SDTi)  
 Connector: BNC per IEC 61169-8 Annex A  
 Signal Level: 800mV nominal  
 DC Offset: 0V ±0.5V  
 Rise and Fall Time: 150ps nominal @ 1.485Gb/s  
 600ps nominal @ 270Mb/s  
 Overshoot: <10% of amplitude

**Power:**  
 1310nm FP (Standard): -6dBm ±1dBm  
 1550nm & CWDM DFB: 0dBm ±1dBm  
 DWDM DFB: +7dBm ±1dBm  
**Optical Input:**  
 Standards: OC-48c/STM-16c  
 Number of Inputs: 1  
 Connector: Female SC/PC, ST/PC or FC/PC  
 Return Loss: > 25dB  
 Wavelength: 1270nm to 1610nm

**Compliance:**  
 Laser Safety: Complies with 24 CFR 1040.10 and 1040.11 except for deviations pursuant to LN No. 50, dated July 26, 2001  
 Complies with IEC 60825-1, Am. 2  
 EMI/RFI: Complies with FCC regulations for Class A devices  
 Complies with EU EMC directive 89/336/EEC

► Ordering Information

<b>7707VB13-3-HS-OC48</b>	Triple HD/SDI/ASI/SDTi + Ethernet SONET/SDH Fiber Transceiver 1310nm FP laser (-6dBm), VistaLINK®
<b>7707VB15-3-HS-OC48</b>	Triple HD/SDI/ASI/SDTi + Ethernet SONET/SDH Fiber Transceiver 1550nm DFB laser (0dBm), VistaLINK®
<i>For CWDM applications please refer to the end of the fiber section for details</i>	
<b>7707VBxxx-3-HS-OC48</b>	Triple HD/SDI/ASI/SDTi + Ethernet SONET/SDH Fiber Transceiver CWDM DFB laser, VistaLINK®
<i>For DWDM applications please refer to the end of the fiber section for details</i>	
<b>7707BDxxx-3-HS-OC48</b>	Triple HD/SDI/ASI/SDTi + Ethernet SONET/SDH Fiber Transceiver DWDM DFB laser, VistaLINK®

<b>Rear Plate Suffix</b>	
<b>+3RU</b>	3RU Rear Plate for use with 350FR, 7700FR-C or 7800FR Multiframe
<b>Connector Suffix</b>	
<b>+SC</b>	SC/PC
<b>+ST</b>	ST/PC
<b>+FC</b>	FC/PC
<b>Fiber Optic Patch Cable</b>	See CWDM & DWDM Ordering Information Page
<b>Enclosures</b>	
<b>350FR</b>	3RU Portable Multiframe which holds up to 7 single slot modules
<b>7700FR-C</b>	3RU Multiframe which holds up to 15 single slot modules
<b>7800FR</b>	3RU Multiframe which holds up to 15 single slot modules
<b>7801FR</b>	1RU Multiframe which holds up to 4 single or 2 dual slot modules

**Ordering Options** Rear Plate and Fiber Connector must be specified at time of order  
 Eg: Model +SC +3RU