

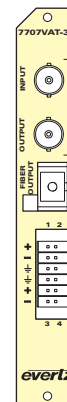
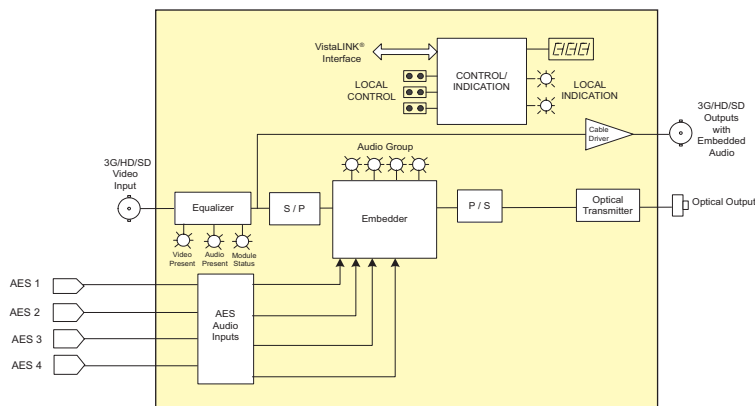
The 7707VAT-3G is a VistaLINK® -capable fiber optic transmitter for 3G, HDTV or SDTV video and AES audio signals. This single card module accepts one 3G, HD-SDI or SD-SDI video plus four AES audio and transmits them on a single fiber. The companion 7707VAR-3G receiver converts the 3G, HD, SD and AES back to video and audio.

The optical output is available in an assortment of optical wavelengths accommodating 1310/1550nm, CWDM and DWDM transmission schemes. The 7707VAT-3G occupies one card slot and can be housed in a 1RU frame that will hold up to 3 modules, a 3RU frame that will hold up to 15 modules, a 350FR portable frame that will hold up to 7 modules or a standalone enclosure which holds 1 module.

►Features & Benefits

- Supports SMPTE 424M standards @ 2.970 Gb/s
- Supports HDTV video formats @ 1.485Gb/s
- Supports 525/625 line component 4:2:2 SDI @ 270Mb/s
- Supports 32, 44.1, 48 kHz AES audio inputs
- Dolby-E® compatible
- AES audio inputs can be synchronous or asynchronous to each other and/or to input video
- Reclocked video output for additional signal distribution or monitoring
- Signal transport over fiber uninterrupted by loss of video or AES audio input feeds
- Comprehensive signal and card status monitoring via four digit card edge display or remotely through SNMP and VistaLINK®
- VistaLINK® capability is available when modules are used with the 3RU 7800FR or 350FR portable frame and a 7700FC VistaLINK® Frame Controller module in slot 1 of the frame

- Occupies one card slot and can be housed in either a 1RU frame which will hold up to 3 modules, a 3RU frame which will hold up to 15 modules, 3RU portable frame that holds up to 7 modules or a standalone frame which will hold 1 module
- Automatic coaxial input equalization up to 100m at 1.485Gb/s and 250m at 270Mb/s (Belden 1694A), 70m at 3G
- Fully Hot-swappable from front of frame
- Supports single-mode and multi-mode fiber optic cable (contact factory for multi-mode applications)
- Optical output wavelengths of 1310nm, 1550nm, and up to sixteen CWDM wavelengths (ITU-T G.694.2 compliant)
- DWDM wavelengths (ITU-T G.694.1 compliant) also available



►Specifications

Serial Video Input: Standard: SMPTE 424M, SMPTE 292M, SMPTE 259M-C, SMPTE 305M (SDTI), DVB-ASI (without separate audio) Connector: 4 BNC per IEC 61169-8 Annex A Equalization: Automatic to 70m @ 2.970Gb/s and 250m @ 270Mb/s with Belden 1694A (or equivalent) Return Loss: > 15dB up to 1.485Gb/s	AES Audio Inputs: Number of Signals: 4 Inputs Standards: AES3-2003 (Balanced AES) SMPTE 276M (Unbalanced AES) Connector: 12-pin terminal block Sampling Rate: 32kHz, 44.1kHz, 48kHz Resolution: Up to 24 bits Minimum Input: 200mV p-p Maximum Input: Balanced 7V p-p, Unbalanced 1.2V p-p Equalization: Balanced: <600m @ 48kHz, with Belden 1800B, and 2V p-p source signal Unbalanced: <1200m @ 48kHz, with Belden 8281, and 1V p-p source signal Impedance: Balanced 110Ω, Unbalanced 75Ω Return Loss: > 15dB, from 1MHz to 6MHz Alignment Jitter: < 10ns p-p, with conditions of minimum to maximum cable length	Wavelengths: See Ordering Information Output Power: 1310nm FP(Standard): -7dBm ±1dBm 1550nm & CWDM DFB: 0dBm ±1dBm DWDM DFB: 7dBm ±1dBm Fiber Size: 9µm core/125µm overall
Serial Video Output: Number of Outputs: 1 relocked Connector: BNC per IEC 61169-8 Annex A Signal Level: 800mV nominal DC Offset: 0V ± 0.5V Rise and Fall Time: < 270ps for HDI, < 900ps for SD Overshoot: < 10% of amplitude Return Loss: > 15dB up to 1.485Gb/s High Freq. Jitter: < 0.2 UI to 1.5G	Optical Output: Number: 1 Connector: Female SC/PC, ST/PC or FC/PC Return Loss: > 14dB	Electrical: Voltage: +12V DC Power: 11W (Non-DWDM), 13W (DWDM)
Compliance: Laser Safety: Class 1 laser product Complies with 24 CFR 1040.10 and 1040.11, IEC 60825-1 Complies with FCC Part 15, Class A EU EMC directive		EMI/RFI:

►Ordering Information

7707VAT-13-3G	3G/HD/SD with 4 AES Audio Fiber Transmitter, 1310nm FP laser, VistaLINK®
7707VAT-15-3G	3G/HD/SD with 4 AES Audio Fiber Transmitter, 1550nm DFB laser, VistaLINK®
<i>For CWDM applications please refer to the end of the fiber section for details</i>	
7707VAT-xx-3G	3G/HD/SD with 4 AES Audio Fiber Transmitter, CWDM Laser
<i>For DWDM application please refer to end of fiber section for details</i>	
7707VATDxxx-3G	3G/HD/SD with 4 AES Audio Fiber Transmitter, DWDM Laser

+1RU	1RU Rear Plate for use with 7701FR Multiframe
+SA	Standalone Enclosure Rear Plate
Connector Suffix	
+SC	SC/PC
+ST	ST/PC
+FC	FC/PC
Enclosures	
350FR	3RU Portable Multiframe which holds up to 7 single slot modules
7700FR-C	3RU Multiframe which holds up to 15 single slot modules
7800FR	3RU Multiframe which holds up to 15 single slot modules
7801FR	1RU Multiframe which holds up to 4 single or 2 dual slot modules
7701FR	1RU Multiframe which holds up to 3 single or dual slot modules
S7701FR	Standalone Enclosure

Ordering Options Rear Plate and Fiber Connector must be specified at time of order
Eg: Model +SC +3RU

Rear Plate Suffix
+3RU 3RU Rear Plate for use with 350FR, 7700FR-C or 7800FR Multiframe

