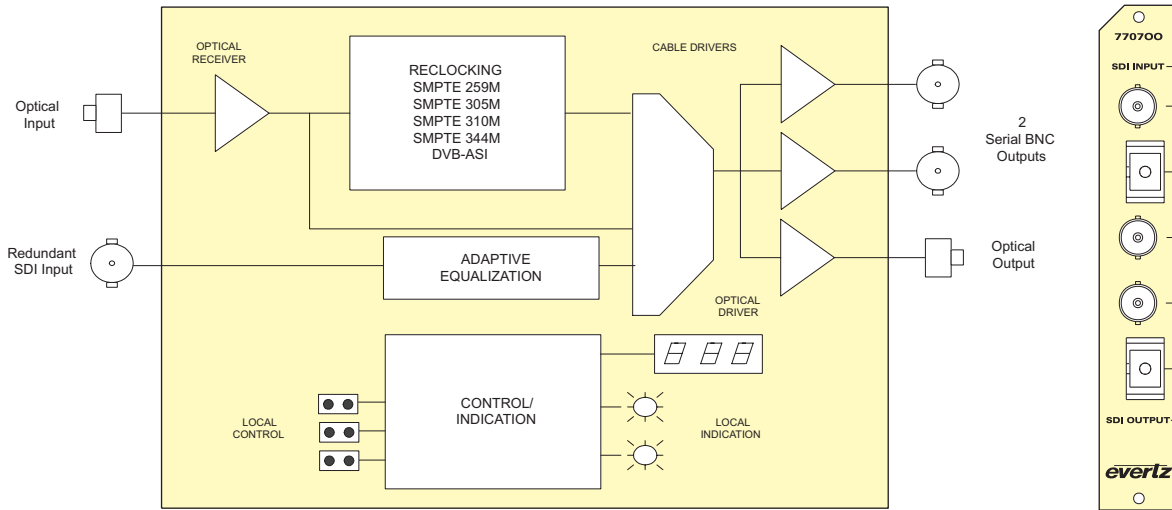




►Features & Benefits

- Can be used as optical regenerator/repeater, E to O converter, O to E converter, O to O wavelength converter
- Auto-rate selection, reclocking and indication for all SMPTE 259M standards from 143-540Mb/s
- Supports additional standards of SMPTE 305M (SDTi), SMPTE 310M (19.4Mb/s) and M2S or DVB-ASI (270Mb/s)
- Can also support Datacom/Telecom rates up to 540Mb/s
- Coaxial or optical input (jumper selectable)
- Supports single-mode and multi-mode fiber optic cable (contact factory for multi-mode applications)
- Optical output wavelengths of 1310nm, 1550nm and up to sixteen CWDM wavelengths (ITU-T G.694.2 compliant)
- DWDM wavelengths (ITU-T G.694.1 compliant) also available
- Independent isolated output drivers to ensure no cross channel loading effects and to maintain polarity from input to output for DVB-ASI applications
- Comprehensive signal and card status monitoring via four digit card edge display
- Detection and display of optical input power, video format and EDH errors
- Fully hot-swappable from front of frame
- Two BNC serial digital outputs



►Specifications

Standards:	SMPTE 259M A, B, C, D, SMPTE 297M, SMPTE 305M, SMPTE 310M, DVB-ASI, M2S	CWDM Wavelengths:	See Ordering Information	Electrical:	Voltage: +12V DC Power: 6W (Non DWDM) 9W (DWDM)
Optical Input:	Connector: Female SC/PC, ST/PC, FC/PC Operating Wavelength: 1270nm to 1610nm Max Input Power: 0dBm Optical Sensitivity: -31dBm Electrical Video Input: Normal: SMPTE 259M (143 to 540Mb/s) or DVB/ASI Jumper Selectable: SMPTE 310M (19.4Mb/s)	DWDM Wavelengths:	See Ordering Information	Physical (number of slots):	350FR: 1 7700FR-C: 1 7800FR: 1
Optical Outputs:	Connector: SC/PC, ST/PC, FC/PC female housing Return Loss: > 14dB Jitter: < 0.15 UI (Reclocked) < 0.20 UI (Non-reclocked) Nominal Wavelength: 1310nm, 1550nm	Output Power:	1310nm FP: -7dBm ±1dBm 1550nm DFB: 0dBm ±1dBm CWDM DFB: 0dBm ±1dBm DWDM DFB: +7dBm ±1dBm	Electrical Video Outputs:	Compliance: Laser Safety: Class 1 laser product Complies with 24 CFR 1040.10 and 1040.11 IEC 60825-1 Complies with FCC Part 15, Class A EU EMC directive
Electrical Video Input:	Connector: 1 BNC per IEC 61169-8 Annex A Equalization: Automatic to 275m @ 270Mb/s with Belden 8281 (or equivalent) Return Loss: > 15db to 540Mb/s	Number of Outputs:	2 per card - reclocked (both outputs maintain polarity from input to output for DVB-ASI applications)	EMI/RFI:	Complies with FCC Part 15, Class A EU EMC directive
		Connectors:	1 BNC per IEC 61169-8 Annex A		
		Impedance:	75Ω (nominal)		
		Signal Level:	800mV nominal		
		DC Offset:	0V ±0.5V		
		Rise and Fall Time:	900ps nominal		
		Overshoot:	< 10% of amplitude		
		Return Loss:	> 15dB up to 540Mb/s		
		Wide Band Jitter:	< 0.15 UI (Reclocked) < 0.20 UI (Non-reclocked)		

►Ordering Information

77070013	Optical Regenerator / Wavelength Converter for rates to 540Mb/s, 1270nm to 1610nm input, 1310nm FP output
77070015	Optical Regenerator / Wavelength Converter for rates to 540Mb/s, 1270nm to 1610nm input, 1550nm DFB laser output
<i>For CWDM, please refer to the end of the fiber section for ordering information</i>	
770700xx	Optical Regenerator / Wavelength Converter for rates to 540Mb/s, 1270nm to 1610nm input, CWDM output
<i>For DWDM, please refer to the end of the fiber section for ordering information</i>	
770700Dxxx	Optical Regenerator / Wavelength Converter for rates to 540Mb/s, 1270nm to 1610nm input, DWDM output

Rear Plate Suffix
+3RU 3RU Rear Plate for use with 350FR, 7700FR-C or 7800FR Multiframe
+1RU 1RU Rear Plate for use with 7701FR Multiframe
+SA Standalone Enclosure Rear Plate

Connector Suffix
+SC SC/PC
+ST ST/PC
+FC FC/PC

Enclosures
350FR 3RU Portable Multiframe which holds up to 7 single slot modules
7700FR-C 3RU Multiframe which holds up to 15 single slot modules
7800FR 3RU Multiframe which holds up to 15 single slot modules
7801FR 1RU Multiframe which holds up to 4 single or 2 dual slot modules
7701FR 1RU Multiframe which holds up to 3 single or dual slot modules
S7701FR Standalone Enclosure

Ordering Options Rear Plate and Fiber Connector must be specified at time of order
 Eg: Model +SC +3RU

