

770700-2L-3G

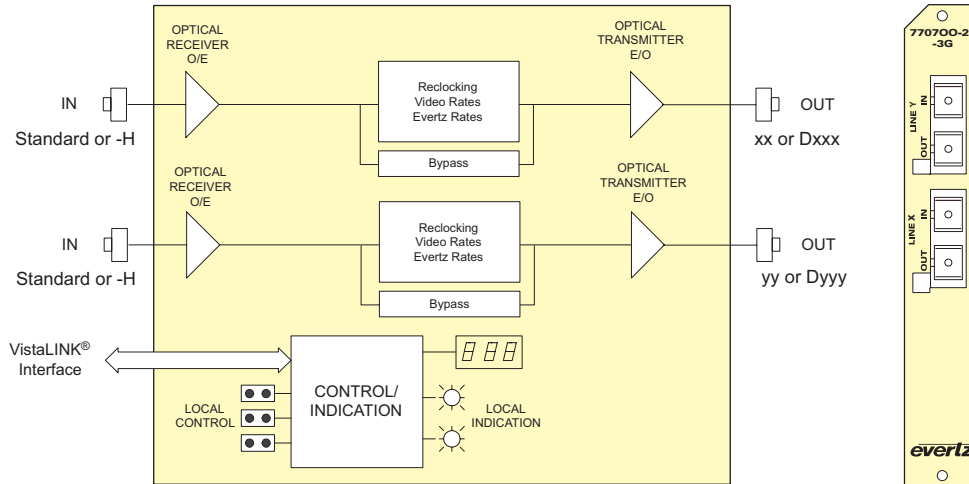
Dual Optical to Optical Wavelength Shifter/Regenerator

The 770700-2L-3G is a VistaLINK® -capable, optical to optical wavelength shifter/regenerator for Video & Evertz® proprietary signals. Monitoring and control of card status and parameters is provided locally at the card edge and remotely via VistaLINK®.

The 770700-2L-3G accepts 2 fiber inputs and provides 2 optical outputs respectively. All versions accept 1270nm to 1610nm optical input signals on multi-mode or single-mode fiber. The 770700-2L-3G is available in 1310nm, CWDM and DWDM configurations.

►Features & Benefits

- See below chart for Reclocking Rates
- Non-reclocking mode for support of additional signal rates (125Mb/s-3.187Gb/s)
- Wide range optical input (1270nm-1610nm)
- 1310nm, 1550nm and CWDM wavelengths available for optical outputs
- DWDM wavelengths (ITU-T G.694.1 compliant) also available for optical outputs
- Comprehensive signal and card status monitoring via four digit card edge display or remotely through SNMP and VistaLINK®
- Detection and display of optical input power and data rate
- Fully hot-swappable from front of frame
- VistaLINK® capability is available when modules are used with the 3RU 7800FR or 350FR frame and a 7700FC VistaLINK® Frame Controller module in slot 1 of the frame



►Specifications

Video Rates	
SMPTE 259M-L	270Mb/s
SMPTE 292M	1.5Gb/s
DVB ASI	270Mb/s
SMPTE 305M	270Mb/s
SMPTE 424M	2.970Mb/s
Evertz® Rates	
7707VT8	2.5Gb/s
G-LINK	2.5Gb/s
7707VT2-HD	3.125Gb/s
7707VT4-HS	3.125Gb/s

Wavelength: 1270nm -1610nm
Optical Sensitivity

Standard & Equipment
Side: -22dBm
High Sensitivity (-H): -29dBm
Max. Input Power:
Standard & Equipment
Side: -1dBm
High Sensitivity (-H): -7dBm
Fiber Size: 62µm core / 125µm overall

Optical Outputs:
Standards: Same as optical input
Number of Outputs: 2
Connector: SC/PC, ST/PC, FC/PC, SC/APC female housing
Return Loss: < 14dB
Fiber Size: 9µm core / 125µm overall
Line X/Line Y:
Standard: 1310nm, 1550nm (nominal)
CWDM: 1270nm to 1610nm (See ordering information)
DWDM: C-Band/L-Band (ITU-T G.694.1 compliant)

Output Power:
1310nm FP: -6dBm ± 1dBm
CWDM: ± 1dBm ± 1dBm
DWDM: +7dBm ± 1dBm

Electrical:
Voltage: +12V DC
Power: 6 W (Non DWDM)
9 W (DWDM)
Laser Safety: Class 1 laser product
Complies with 24 CFR 1040.10 and 1040.11
IEC 60825-1
Complies with FCC regulations for class A devices
Complies with EU EMC

EMI/RFI:

Physical (number of slots):
350FR: 1
7700FR-C: 1
7800FR: 1

Standards (reclocked):
Optical Inputs:
Number of Inputs: 2
Rates (non-reclocked): 125Mb/s-3.187Gb/s
Connector: Female SC/PC, ST/PC, FC/PC, SC/APC

►Ordering Information

77070013-2L-3G	Dual Optical to Optical Wavelength Shifter/Regenerator, 1310nm FP laser standard receiver, VistaLINK®
77070015-2L-3G	Dual Optical to Optical Wavelength Shifter/Regenerator, 1550nm FP laser standard receiver, VistaLINK®

For CWDM applications please refer to the end of the fiber section for details

770700xx/yy-2L-3G	Dual Optical to Optical Wavelength Shifter/Regenerator, CWDM DFB laser, standard receiver, VistaLINK®
770700xx/yy-2L-3G-H	Dual Optical to Optical Wavelength Shifter/Regenerator, CWDM DFB laser, high sensitivity receiver, VistaLINK®

For DWDM applications please refer to the end of the fiber section for details

770700Dxxx/Dyyy-2L-3G	Dual Optical to Optical Wavelength Shifter/Regenerator, DWDM laser, standard receiver, VistaLINK®
770700Dxxx/Dyyy-2L-3G-H	Dual Optical to Optical Wavelength Shifter/Regenerator, DWDM laser, high sensitivity receiver, VistaLINK®

Ordering Options Rear Plate and Fiber Connector must be specified at time of order
Eg: Model +SC +3RU

Connector Suffix
+SC SC/PC
+ST ST/PC

Rear Plate Suffix
+3RU 3RU Rear Plate for use with 350FR, 7700FR-C or 7800FR Multiframe
+1RU 1RU Rear Plate for use with 7701FR Multiframe
+SA Standalone Enclosure Rear Plate

Enclosures
350FR 3RU Portable Multiframe which holds up to 7 single slot modules
7700FR-C 3RU Multiframe which holds up to 15 single slot modules
7800FR 3RU Multiframe which holds up to 15 single slot modules
7801FR 1RU Multiframe which holds up to 4 single or 2 dual slot modules
7701FR 1RU Multiframe which holds up to 3 single or dual slot modules
S7701FR Standalone Enclosure