

# 770700-2-OC, 770700-2L-OC

## Optical to Optical Wavelength Shifter/Regenerator

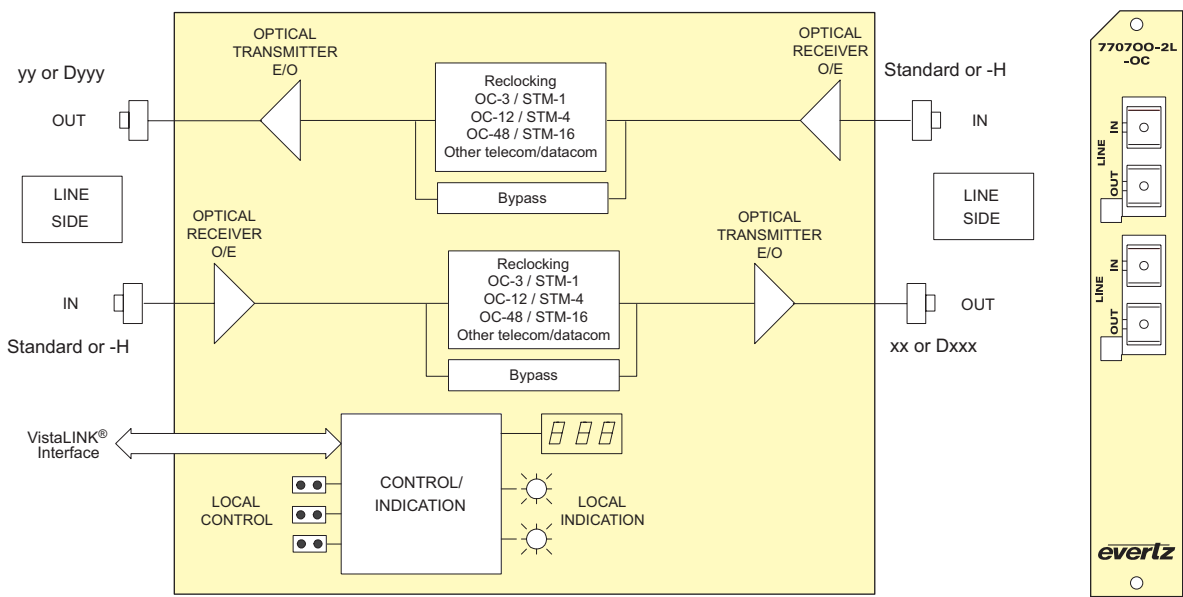
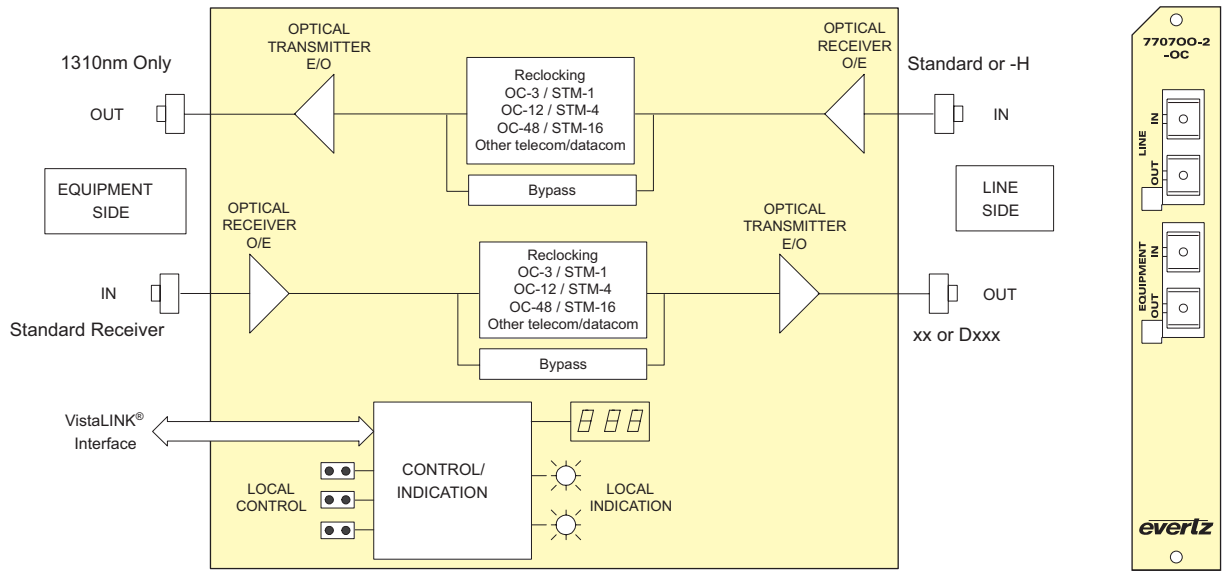


The 770700-2-OC and 770700-2L-OC are VistaLINK® -capable, optical to optical wavelength shifter/regenerator for telecom and datacom signals. Monitoring and control of card status and parameters is provided locally at the card edge and remotely via VistaLINK®.

The 770700-2-OC and 770700-2L-OC accepts two fiber inputs and provides two optical outputs. All versions accept 1270nm to 1610nm optical input signals on multi-mode or single-mode fiber. The 770700-2-OC and 770700-2L-OC are available in 1310nm, CWDM and DWDM configurations.

### Features & Benefits

- Rerocking for OC-3/STM-1, OC-12/STM-4 and OC-48/STM-16 and a number of other telecom and datacom rates (see specifications)
- Non-rerocking mode for support of additional signal rates (125Mb/s-3.187Gb/s)
- Full-Duplex
- Wide range optical input (1270nm - 1610nm)
- 1310nm, 1550nm and CWDM wavelengths available for optical outputs
- DWDM wavelengths (ITU-T G.694.1 compliant) also available for optical outputs
- Comprehensive signal and card status monitoring via four digit card edge display or remotely through SNMP and VistaLINK®
- Detection and display of optical input power and data rate
- Fully hot-swappable from front of frame
- VistaLINK® capability is available when modules are used with the 3RU 7800FR or a 350FR frame and a 7700FC VistaLINK® Frame Controller module in slot 1 of the frame



The Complete Solution Provider





### Specifications

#### Standards (relocked):

Datacom	
Standard	Data Rate
Fiber Channel	2.125Gb/s
Fiber Channel	1.062Gb/s
Fiber Channel	531Mb/s
Fiber Channel	266Mb/s
Fiber Channel	133Mb/s
Fast Ethernet	125Mb/s
XAUI	3.125Gb/s
XAUI	3.187Gb/s
ESCON	200Mb/s

#### Optical Inputs:

Number of Inputs: 2  
 Rates (non-relocked): 125Mb/s-3.187Gb/s  
 Connector: Female SC/PC, ST/PC, FC/PC, SC/APC  
 Wavelength: 1270nm -1610nm  
 Optical Sensitivity  
 Standard & Equipment Side: -27dBm  
 High Sensitivity (-H): -29dBm  
 Max. Input Power:  
 Standard & Equipment Side: -1dBm  
 High Sensitivity (-H): -7dBm  
 Fiber Size: 62µm core / 125µm overall

#### Optical Outputs:

Standards: Same as optical input  
 Number of Outputs: 2  
 Connector: SC/PC, ST/PC, FC/PC, SC/APC female housing  
 Return Loss: < 14dB  
 Fiber Size: 9µm core / 125µm overall  
 Equipment Side:  
 Wavelengths Standard: 1310nm  
 Output Power 1310nm FP: -7dBm ± 1dBm

#### Line Side Wavelengths:

Standard: 1310nm, 1550nm (nominal)  
 CWDM: 1270nm to 1610nm (See ordering information)  
 DWDM: C-Band/L-Band (ITU-T G.694.1 compliant)

#### Output Power:

1310nm FP: -6dBm ± 1dBm  
 CWDM: ±1dBm ± 1dBm  
 DWDM: +7dBm ± 1dBm

#### Electrical:

Voltage: +12V DC  
 Power: 6W (Non DWDM)  
 9W (DWDM)  
 EMI/RFI: Complies with FCC regulations for Class A devices  
 Complies with EU EMC directive

#### Physical (number of slots):

350FR: 1  
 7700FR-C: 1  
 7800FR: 1

#### Compliance:

Laser Safety: Class 1 laser product  
 Complies with 24 CFR 1040.10 and 1040.11  
 IEC 60825-1  
 EMI/RFI: Complies with FCC Part 15, Class A  
 EU EMC directive

### Ordering Information

**77070013-2-OC** 1310nm FP laser and standard receiver (line side), VistaLINK®  
**77070015-2-OC** 1550nm DFB laser and standard receiver (line side), VistaLINK®  
**77070015-2L-OC** 1550nm FP laser, dual line, VistaLINK®

*For CWDM applications please refer to the end of the fiber section for details*

**770700xx-2-OC** CWDM DFB laser and standard receiver (line side), VistaLINK®  
**770700xx/yy-2L-OC** CWDM DFB laser, dual line, standard receiver, VistaLINK®  
**770700xx-2-OC-H** CWDM DFB laser, high sensitivity receiver (line side), VistaLINK®  
**770700xx/yy-2L-OC-H** CWDM DFB laser, high sensitivity receiver, VistaLINK®

*For DWDM applications please refer to the end of the fiber section for details*

**770700Dxxx-2-OC** DWDM DFB laser and standard receiver (line side), VistaLINK®  
**770700Dxxx/Dyyy-2L-OC** DWDM laser, dual line, standard receiver, VistaLINK®  
**770700Dxxx-2-OC-H** DWDM DFB laser, high sensitivity receiver (line side), VistaLINK®  
**770700Dxxx/Dyyy-2L-OC-H** DWDM laser, high sensitivity receiver, VistaLINK®

NOTE: Contact factory for clarification on laser ordering options

**Ordering Options** Rear Plate and Fiber Connector must be specified at time of order  
 Eg: Model +SC +3RU

**Connector Suffix**  
**+SC** SC/PC  
**+ST** ST/PC  
**+FC** FC/PC

**Rear Plate Suffix**  
**+3RU** 3RU Rear Plate for use with 350FR, 7700FR-C or 7800FR Multiframe  
**+1RU** 1RU Rear Plate for use with 7701FR Multiframe  
**+SA** Standalone Enclosure Rear Plate

**Enclosures**  
**350FR** 3RU Portable Multiframe which holds up to 7 single slot modules  
**7700FR-C** 3RU Multiframe which holds up to 15 single slot modules  
**7800FR** 3RU Multiframe which holds up to 15 single slot modules  
**7801FR** 1RU Multiframe which holds up to 4 single or 2 dual slot modules  
**7701FR** 1RU Multiframe which holds up to 3 single or dual slot modules  
**S7701FR** Standalone Enclosure