



The 7707ET-TE1 is a VistaLINK® -capable Ethernet and T1/E1/J1 Fiber Transceiver that provides an economical method of transmitting one 10/100BaseT Ethernet signal and one T1/E1/J1 signal over optical fiber. Monitoring control of card status and parameters is provided locally at the card edge and remotely via VistaLINK®. A pair of 7707ET-TE1 transceivers permits full duplex communication of all signals over single or dual optical fibers.

The 7707ET-TE1 provides one RJ45 input connector for the 10/100BaseT Ethernet, one RJ45 input connector for the T1/E1/J1 and one or two fiber optic output connectors.

The 7707ET-TE1 occupies one card slot and can be housed in a 1RU frame that will hold up to 3 modules, a 3RU frame that will hold up to 15 modules, a 350FR portable frame that will hold up to 7 modules or a standalone enclosure which holds 1 module.

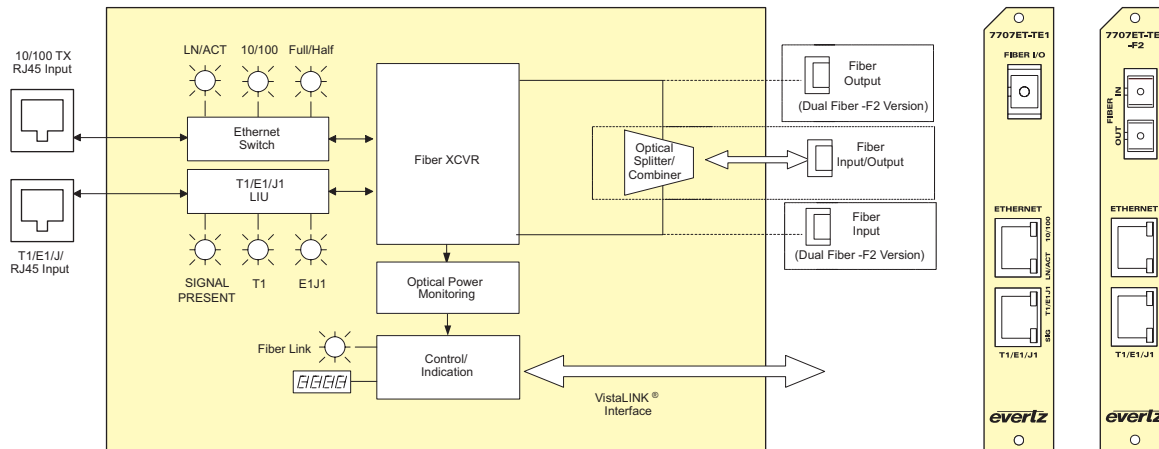
►Features & Benefits

- 10/100BaseT Ethernet and T1/E1/J1 fiber optic transceiver
- Auto negotiation for 10/100 speeds and full/half duplex operation on Ethernet port
- G.703 compliant T1/E1/J1 port
- Ethernet and T1/E1/J1 signals completely independent over transport interface
- Built-in Ethernet switch for isolation of each transmission end
- Comprehensive signal and card status monitoring via four digit card edge display or remotely through SNMP and VistaLINK®
- VistaLINK® capability is available when modules are used with the 3RU 7800FR or 350FR frame and a 7700FC VistaLINK® Frame Controller module in slot 1 of the frame
- Local display of optical signal strength, link parameters and link status
- Optical output available in 1310nm, 1550nm and up to sixteen CWDM wavelengths (ITU-T G.694.2 compliant)
- DWDM wavelengths (ITU-T G.694.1 compliant) also available

- Supports single-mode and multi-mode fiber optic cable (contact factory for multi-mode applications)
- Fully hot-swappable from front of frame
- SC/PC, ST/PC or FC/PC connector options

Status Indication

- Frame status
- Fiber link indication
- 10/100 speed indication
- Ethernet full duplex/collision indication
- Ethernet link activity
- T1/E1/J1 signal presence
- T1/E1/J1 Indication
- Optical power level



►Specifications

Ethernet Input/Output:		Dual Fiber (F2):	2 Female SC/PC, ST/PC or FC/PC	Electrical:
Standard :	IEEE 802.3 (10 BaseT), IEEE 802.3u (100 BaseTX)	Max. Input Power:	0dBm	Voltage:
Connector:	1 RJ45	Input Wavelength:	1270nm-1610nm	Power:
Cable Requirements:		Optical Sensitivity:		
10 BaseT:	UTP category 3,4 or 5 cable up to 328ft/100m (2 pairs)	WDM (-w version)	-27dBm	
100 BaseTX:	UTP category 5 cable up to 328ft/100m (2 pairs)	Standard:	-29dBm	Physical (number of slots):
		Wavelengths:		350FR:
		Standard:	1310nm, 1550nm	1
		CWDM:	1270nm - 1610nm	7700FR-C:
		DWDM:	C-Band (ITU-T G.694.1 compliant)	1
		Output Power:		7800FR:
		1310nm FP:	-7dBm ±1dBm	1
		1310nm (-W):	-9dBm ±1dBm	
		1550nm (-W):	-1dBm ±1dBm	Compliance:
		1550nm, CDWM (DFB):	0dBm ±1dBm	Laser Safety:
		DWDM (DFB):	+7dBm ±1dBm	Class 1 laser product
				Complies with 24 CFR 1040.10 and 1040.11
				IEC 60825-1
				EMI/RFI:
				Complies with FCC Part 15, Class A
				EU EMC Directive

►Ordering Information

7707ET13-TE1-W	Ethernet & T1/E1/J1 Fiber Transceiver, single fiber, WDM, 1310nm FP TX, RX on 1550nm, VistaLINK®
7707ET15-TE1-W	Ethernet & T1/E1/J1 Fiber Transceiver, single fiber, WDM, 1550nm DFB TX, RX on 1310nm, VistaLINK®
7707ET13-TE1-F2	Ethernet and T1/E1/J1 Fiber Transceiver, Dual Fiber, 1310 nm, FP Laser, VistaLINK®
<i>For CWDM, please refer to the end of the fiber section for ordering information</i>	
7707ETxx-TE1-F2	Ethernet and T1/E1/J1 Fiber Transceiver, Dual Fiber, CWDM, DFB Laser, VistaLINK®
<i>For DWDM, please refer to the end of the fiber section for ordering information</i>	
7707ETDxxx-TE1-F2	Ethernet & T1/E1/J1 Fiber Transceiver, dual fiber, DWDM TX, VistaLINK®

Rear Plate Suffix
+3RU 3RU Rear Plate for use with 350FR, 7700FR-C or 7800FR Multiframe
+1RU 1RU Rear Plate for use with 7701FR Multiframe
+SA Standalone Enclosure Rear Plate

Connector Suffix
+SC SC/PC
+ST ST/PC
+FC FC/PC

Enclosures
350FR 3RU Portable Multiframe which holds up to 7 single slot modules
7700FR-C 3RU Multiframe which holds up to 15 single slot modules
7800FR 3RU Multiframe which holds up to 15 single slot modules
7801FR 1RU Multiframe which holds up to 4 single or 2 dual slot modules
7701FR 1RU Multiframe which holds up to 3 single or dual slot modules
S7701FR Standalone Enclosure

Ordering Options Rear Plate and Fiber Connector must be specified at time of order
 Eg: Model +SC +3RU