

7707ET-4

Quad Ethernet Fiber Transceiver

The 7707ET-4 is a VistaLINK® -capable Quad Ethernet Fiber Transceiver that transmits up to four separate 10/100BaseT Ethernet channels over optical fiber. Monitoring of card status and parameters is provided locally at the card edge and remotely via VistaLINK®. A pair of 7707ET-4 transceivers permit full duplex communication of all four channels over a single or dual optical fiber(s).

The 7707ET-4 provides four RJ45 input connectors and either one or two fiber optic output connectors.

The 7707ET-4 occupies one or two card slots can be housed in a 1RU frame that will hold up to 3 modules, a 3RU frame that will hold up to 15 modules, a 350FR portable frame that will hold up to 7 modules or a standalone enclosure which holds 1 module.

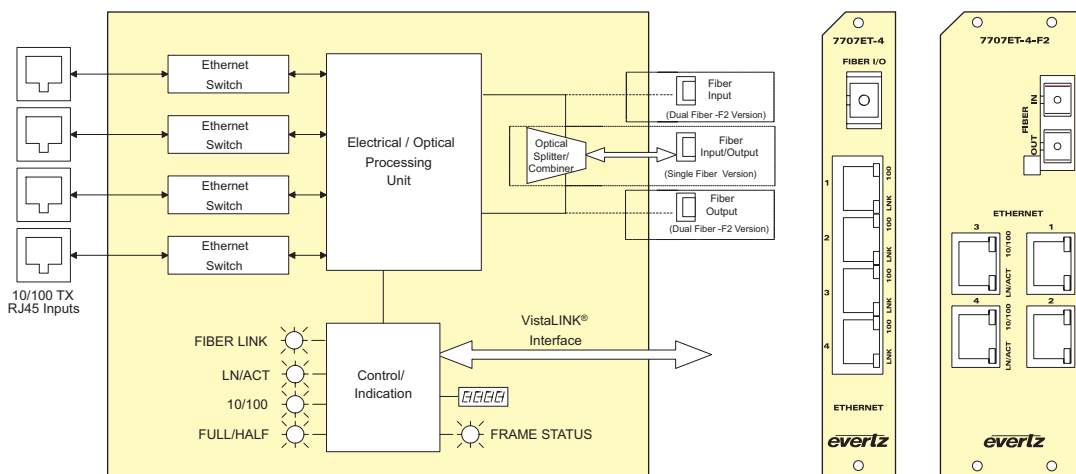
► Features & Benefits

- Four completely independent and isolated Ethernet streams
- Auto negotiation for 10/100 speeds on all ports
- Built-in Ethernet switches for isolation of each transmission end
- Comprehensive signal and card status monitoring via four digit card edge display or remotely through SNMP and VistaLINK®
- VistaLINK® capability is available when modules are used with the 3RU 7800FR or 350FR frame and a 7700FC VistaLINK® Frame Controller module in slot 1 of the frame
- Optical output wavelengths at 1310nm, 1550nm and up to sixteen CWDM wavelengths (ITU-T G.694.2 compliant)

- DWDM wavelengths (ITU-T G.694.1 compliant) also available
- Fully hot-swappable from front of frame
- SC/PC, ST/PC, FC/PC Connector options

Status Indication

- Frame status
- 10/100 Speed indication on copper ports
- Full Duplex/Collision indication on copper ports
- Link activity on copper ports
- Received optical power level



► Specifications

Ethernet Input/Output:

Standard: IEEE 802.3 10BASE-T
802.3u 100BASE-TX
Connectors: 4 RJ45 ports
Cable Requirements:
10Base-T: UTP category 3, 4, or 5 cable up to 328ft/100m
100Base-T: UTP category 5 cable up to 328ft/100m

Optical Input/Output:

Connector:
Single Fiber Version:
1 Female SC/PC, ST/PC, FC/PC
Dual Fiber Version:
2 Female SC/PC, ST/PC, FC/PC
Input Wavelengths: 1270nm to 1610nm
Rise & Fall Time: 200ps nominal

Wide Band Jitter: < 0.2 UI
Maximum Input Power:
Standard: -1dBm
F2-H Versions: -8dBm
Input Optical Sensitivity:
WDM (-w version) -22dBm
Standard: -23dBm
High Sensitivity (-H): -28dBm
Wavelengths:
Standard: 1310nm, 1550nm
CWDM: 1270nm - 1610nm
DWDM: C-Band (ITU-T G.694.1 compliant)
Output Power:
1310nm FP: -7dBm ±1dBm
1310nm (-W): -1dBm ±1dBm
1550nm, CDWM (DFB):
0dBm ± 1dBm
DWDM (DFB): +7dBm ± 1dBm

Electrical:

Voltage: +12V DC
Power: 12W (Non DWDM)
14W (DWDM)

Physical (number of slots):

350FR, 7700FR-C, 7800FR:
Single Fiber: 1
Dual Fiber: 2

Compliance:

Laser Safety: Class 1 laser product
Complies with 24 CFR 1040.10 and 1040.11
IEC 60825-1
EMI/RFI: Complies with FCC Part 15, Class A
EU EMC Directive

► Ordering Information

7707ET13M-4-W Quad Ethernet Fiber Transceiver, single fiber, WDM, 1310nm FP TX, RX on 1550nm
7707ET15-4-W Quad Ethernet Fiber Transceiver, single fiber, WDM, 1550nm DFB TX, RX on 1310nm
7707ET13-4-F2 Quad Ethernet Fiber Transceiver, dual fiber, 1310nm FP TX & RX

For CWDM, please refer to the end of the fiber section for ordering information
7707ETxx-4-F2 Quad Ethernet Fiber Transceiver, dual fiber, CWDM TX
7707ETxx-4-F2-H Quad Ethernet Fiber Transceiver, dual fiber, CWDM TX, High Sensitivity RX

For DWDM, please refer to the end of the fiber section for ordering information
7707ETDxxx-4-HD-F2 Quad Ethernet Fiber Transceiver, dual fiber, DWDM TX
7707ETDxxx-4-HD-F2-H Quad Ethernet Fiber Transceiver, dual fiber, DWDM TX, High Sensitivity RX

Rear Plate Suffix

+3RU 3RU Rear Plate for use with 350FR, 7700FR-C or 7800FR Multiframe
+1RU 1RU Rear Plate for use with 7701FR Multiframe
+SA Standalone Enclosure Rear Plate

Connector Suffix

+SC SC/PC
+ST ST/PC
+FC FC/PC

Enclosures

350FR 3RU Portable Multiframe which holds up to 7 single slot modules
7700FR-C 3RU Multiframe which holds up to 15 single slot modules
7800FR 3RU Multiframe which holds up to 15 single slot modules
7801FR 1RU Multiframe which holds up to 4 single or 2 dual slot modules
7701FR 1RU Multiframe which holds up to 3 single or dual slot modules
S7701FR Standalone Enclosure

Ordering Options Rear Plate and Fiber Connector must be specified at time of order
Eg. Model +3RU +SC