

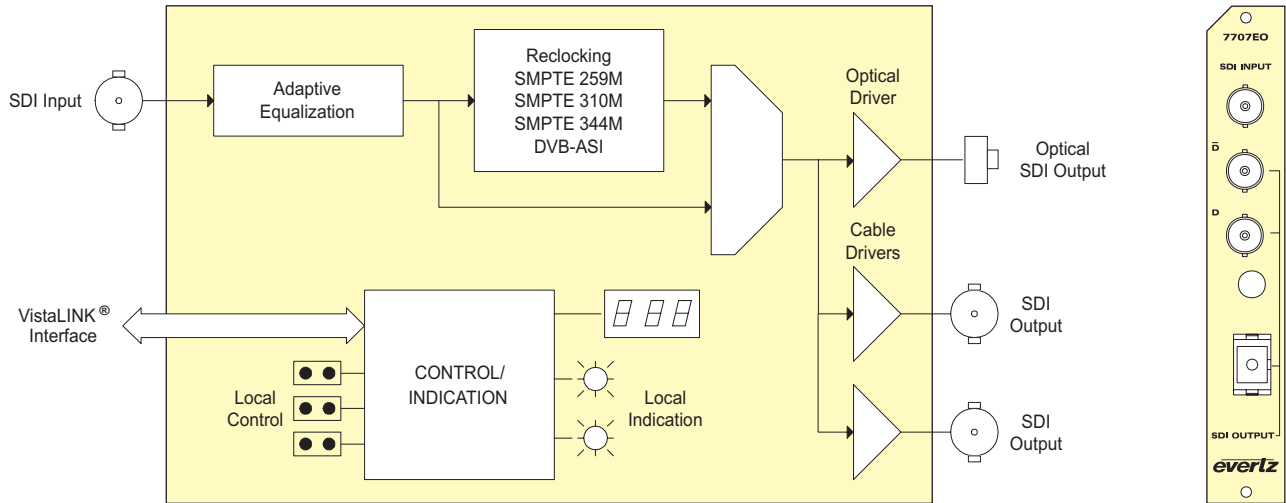
7707EO

SDI Electrical to Optical Converter, 19.4Mb/s or 143-540Mb/s



►Features & Benefits

- Electrical to optical converter for all SMPTE 259M standards with operation from 143Mb/s-360Mb/s
- Supports SMPTE 310M (19.4Mb/s), M2S, DVB-ASI (270Mb/s), SMPTE 344M (540Mb/s) and SMPTE 305M (SDTi) rates
- Detection and display of input equalization, video format and EDH errors
- Automatic coaxial input equalization up to 275m at 270Mb/s (Belden 8281)
- Reclocked optical and electrical outputs
- Optical output wavelengths of 1310nm, 1550nm and up to sixteen CWDM wavelengths (ITU-T G.694.2 compliant)
- DWDM wavelengths (ITU-T G.694.1 compliant) also available
- Supports multi-mode and single-mode fiber
- Fully hot-swappable from front of frame
- Occupies one card slot and can be housed in either a 1RU frame which will hold up to 3 modules, a 3RU frame which will hold up to 15 modules, 350FR portable frame that holds up to 7 modules or a standalone frame which will hold 1 module
- Comprehensive signal and card status monitoring via four digit card edge display or remotely through SNMP and VistaLINK®
- VistaLINK® capability is available when modules are used with the 3RU 7800FR or 350FR portable frame and a 7700FC VistaLINK® Frame Controller module in slot 1 of the frame



►Specifications

<p>Standards: Reclocked: SMPTE 259M A, B, C, D, SMPTE 297M, SMPTE 344M, SMPTE 310M, SMPTE 305M, M2S or DVB-ASI Non-Reclocked: Any bi-level signal type at rates of 19.4-540Mb/s</p> <p>Serial Video Input: Connector: 1 BNC per IEC 61169-8 Annex A Equalization: Automatic up to 275m @ 270Mb/s with Belden 8281 (or equivalent cable) Return Loss: > 15dB up to 540Mb/s</p> <p>Serial Video Output: Number of Outputs: 2 per card (1 output DVB-ASI/M2S compliant) Connectors: 1 BNC per IEC 61169-8 Annex A Signal Level: 800mV nominal DC Offset: 0V ±0.5V Rise and Fall Time: 900ps nominal Overshoot: < 10% of amplitude Return Loss: > 15dB up to 270Mb/s Wide Band Jitter: < 0.2 UI</p>	<p>Optical Output: Standard: SMPTE 297M Connector: 1 Female SC/PC, ST/PC or FC/PC Return Loss: > 14dB Rise and Fall Time: 400-700ps Wide Band Jitter: < 0.2 UI Wavelengths: See Ordering Information Output Power: 1310nm FP: -7dBm ±1dBm 1550nm & CWDM: 0dBm ±1dBm DWDM DFB: 7dBm ±1dBm</p> <p>Electrical: Voltage: +12V DC Power: 6W (Non-DWDM), 9W (DWDM)</p> <p>Physical (number of slots): 350FR: 1 7700FR-C: 1 7800FR: 1</p>	<p>Compliance: Laser Safety: Class 1 laser product Complies with 24 CFR 1040.10 and 1040.11 IEC 60825-1 EMI/RFI: Complies with FCC Part 15, Class A EU EMC directive</p>
---	--	--

Receiver Compatibility Chart:

MODEL #	SD-SDI	HD-SDI
2405/7705/7707OE	x	
2405/7705/7707OE-HD	x	
7705/7707OE-3	x	
7705/7707OE-3-HD	x	
7707ADVR	x	
7707ADVR-HD	x	
7707VAR-HD	x	

►Ordering Information

7707EO13	SDI Electrical to Optical Converter 19.4Mb/s or 143-540Mb/s, 1310nm, FP Laser
7707EO15	SDI Electrical to Optical Converter 19.4Mb/s or 143-540Mb/s, 1550nm, DFB Laser
<i>For CWDM, please refer to the end of the fiber section for ordering information</i>	
7707EOxx	SDI Electrical to Optical Converter 19.4Mb/s or 143-540Mb/s, CWDM DFB Laser
<i>For DWDM, please refer to the end of the fiber section for ordering information</i>	
7707EODxxx	SDI Electrical to Optical Converter, 19.4Mb/s or 143-540Mb/s, DWDM Laser, +7dBm

Rear Plate Suffix
+3RU 3RU Rear Plate for use with 350FR, 7800FR or 7800FR Multiframe
+1RU 1RU Rear Plate for use with 7701FR Multiframe
+SA Standalone Enclosure Rear Plate

Connector Suffix
+SC SC/PC
+ST ST/PC
+FC FC/PC

Enclosures
350FR 3RU Portable Multiframe which holds up to 7 single slot modules
7700FR-C 3RU Multiframe which holds up to 15 single slot modules
7800FR 3RU Multiframe which holds up to 15 single slot modules
7801FR 1RU Multiframe which holds up to 4 single or 2 dual slot modules
7701FR 1RU Multiframe which holds up to 3 single or dual slot modules
S7701FR Standalone Enclosure

Ordering Options Rear Plate and Fiber Connector must be specified at time of order
 Eg: Model +SC +3RU

