

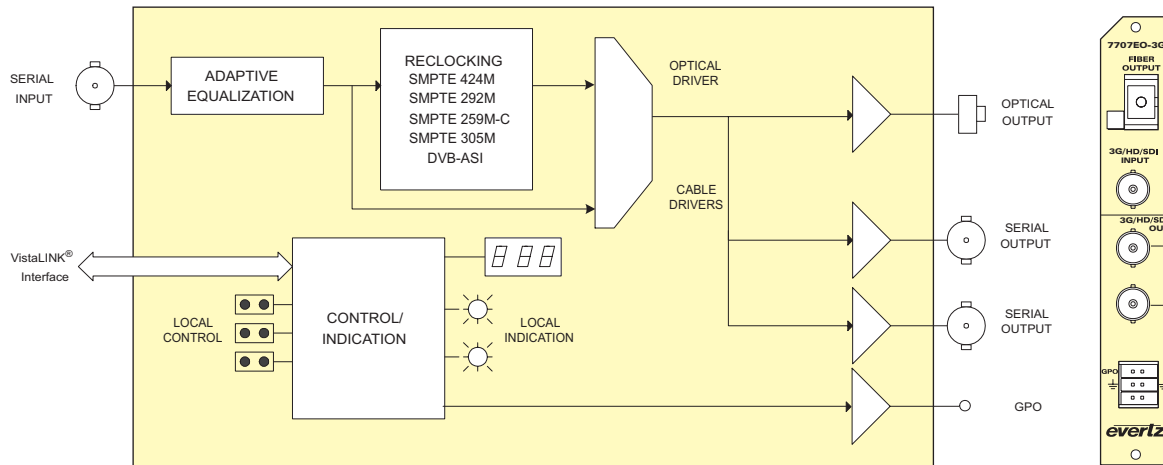
7707EO-3G

3G/HD/SD Electrical to Optical Converter



► Features & Benefits

- Supports all SMPTE 424M standards at 2.970Gb/s
- Supports all SMPTE 292M standards at 1.485Gb/s
- Supports SMPTE 259M-C standards at 270Mb/s
- Supports DVB-ASI (270Mb/s) and SMPTE 305M (SDTi) rates
- Auto rate selection, indication and relocking for SD-SDI/HD/3G data rates from 270Mb/s to 2.970Gb/s
- Selectable non-relock mode for other data rates
- Programmable general purpose output (GPO)
- Automatic input equalization up to 100m to 1.5Gb/s, 250m to 270Mb/s and 70m to 3Gb/s
- Optical output wavelengths of 1310nm, 1550nm, and up to sixteen CWDM wavelengths (ITU-T G.694.2 compliant)
- DWDM wavelengths (ITU-T G.694.1 compliant) also available
- Supports single-mode and multi-mode fiber optic cable (contact factory for multi-mode applications)
- Fully hot-swappable from front of frame
- Comprehensive signal and card status monitoring via four digit card edge display or remotely through SNMP and VistaLINK®
- VistaLINK® capability is available when modules are used with a 3RU frame and a 7700FC VistaLINK® Frame Controller module in slot 1 of the frame
- Occupies one card slot and can be housed in either a 1RU frame which will hold up to 3 modules, a 3RU frame which will hold up to 15 modules, or a standalone enclosure which will hold 1 module



► Specifications

Serial Video Input:

Standards:
 Reclocked: SMPTE 424M, SMPTE 292M, SMPTE 259M-C
 SMPTE 305M, DVB- ASI
 Non-Reclocked: Any bi-level signal type at rates of 270Mb/s to 2.970Gb/s
 Connector: 1 BNC per IEC 61169-8 Annex A
 Equalization: Automatic to 100m @ 1.485Gb/s, 70m @ 3Gb/s with Belden 1694A or equivalent cable and 250m @ 270Mb/s with Belden 8281 or equivalent cable
 Return Loss: > 15dB to 1.5GHz
 > 10dB to 3GHz

Serial Video Outputs:

Number of Outputs: 2 Per Card (>10dB to >3GHz)
 Connector: BNC per IEC 61169-8 Annex A
 Signal Level: 800mV ±80mV
 DC Offset: 0V ±0.5V
 Rise and Fall Time: < 135ps (HD/3G)
 < 900ps (SD)
 Overshoot: < 10% of amplitude
 Return Loss: > 15dB to 1.5GHz
 > 10dB to 3GHz
 Alignment Jitter: < 0.2 UI (Reclocked) to 1.485Gb/s
 < 0.3 UI (Reclocked) to 2.97Gb/s

Optical Output:

Standard: SMPTE 297M
 Number of Outputs: 1
 Connector: Female SC/PC, ST/PC or FC/PC
 Return Loss: > 14dB
 Rise and Fall Time: < 135ps (HD/3G)
 < 900ps (SD)
 Alignment Jitter: < 0.2 UI (Reclocked) to 1.485 Gb/s
 < 0.3 UI (Reclocked) to 2.97Gb/s
 Wavelengths:
 Output Power:
 1310nm FP: -7dBm ±1dBm
 1310/1550nm DFB: 0dBm ±1dBm
 CWDM: 0dBm ±1dBm
 DWDM: 7dBm ±1dBm

General Purpose Outputs:

Type: Dry contact relay closure (normally open)
 Number of Outputs: 1
 Connector: Multi-pin removable terminal block
 Max Current: 500mA @ 12V

Electrical:

Voltage: +12V DC
 Power: 8W (Non DWDM), 11W (DWDM)
 EMI/RFI: Complies with FCC Part 15, Class A
 EU EMC Directive

Physical (Number of Slots):

350FR: 1
 7700FR-C: 1
 7800FR: 1

Compliance:

Electrical Safety: CSA Listed to UL 60065-03, IEC 60065
 Complies with CE Low voltage Directive
 Laser Safety: Class 1 laser product
 Complies with 24 CFR 1040.10 and 1040.11
 IEC 60825-1
 EMI/RFI: Complies with FCC Part 15, Class A
 EU EMC directive

► Ordering Information

7707EO13-3G 3G/HD/SD Electrical to Optical Converter, 1310nm FP Laser
7707EO15-3G 3G/HD/SD Electrical to Optical Converter, 1550nm DFB Laser

For CWDM, please refer to the end of the fiber section for ordering information
7707EOxx-3G 3G/HD/SD Electrical to Optical Converter, CWDM DFB Laser

For DWDM, please refer to the end of the fiber section for ordering information
7707EODxxx-3G 3G/HD/SD Electrical to Optical Converter, DWDM DFB Laser

Connector Suffix

+SC SC/PC
+ST ST/PC
+FC FC/PC

Accessories

Fiber Optic Patch Cable

See CWDM & DWDM Ordering Information Page

Ordering Options Rear Plate and Fiber Connector must be specified at time of order
 Eg: Model +SC +3RU

Rear Plate Suffix

+3RU 3RU Rear Plate for use with 350FR, 7700FR-C or 7800FR Multiframe
+1RU 1RU Rear Plate for use with 7701FR Multiframe
+SA Standalone Enclosure Rear Plate

Enclosures

350FR 3RU Portable Multiframe which holds up to 7 single slot modules
7700FR-C 3RU Multiframe which holds up to 15 single slot modules
7701FR 1RU Multiframe which holds up to 3 single or dual slot modules
7800FR 3RU Multiframe which holds up to 15 single slot modules
7801FR 1RU Multiframe which holds up to 4 single or 2 dual slot modules
S7701FR Standalone enclosure