

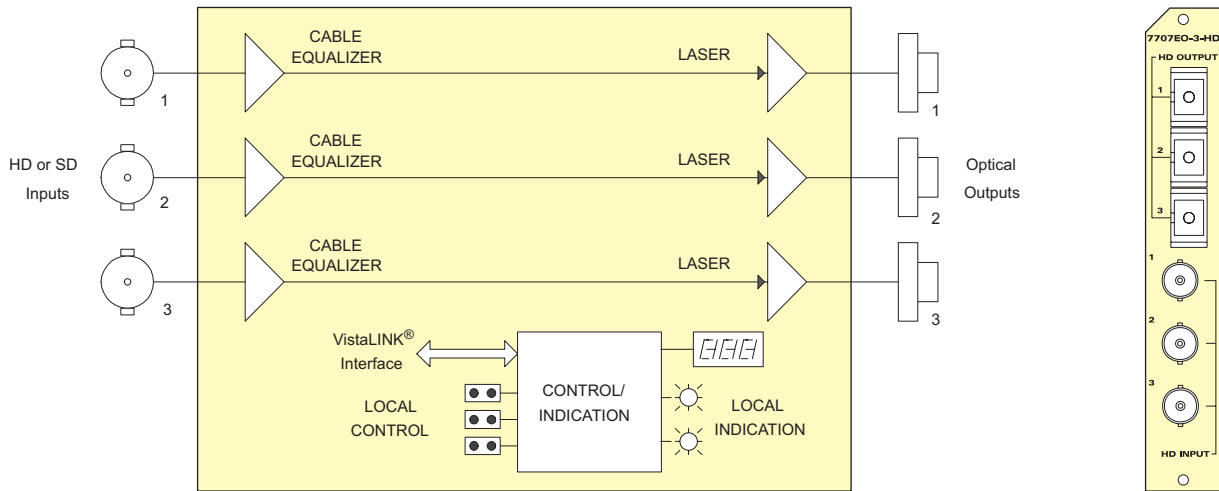
7707EO-3-HD

Triple HD or SD Electrical to Optical Converter



► Features & Benefits

- Three independent channels of electrical to optical conversion that support all SMPTE 292M standards at 1.485Gb/s
- Supports all SMPTE 259M standards with operation from 143Mb/s-360Mb/s
- Supports additional standards of SMPTE 305M (SDTi), SMPTE 310M (19.4Mb/s), SMPTE 344M (540Mb/s), M2S and DVB-ASI (270Mb/s)
- Automatic cable equalization to 300m @ 270Mb/s and 75m @ 1.485Gb/s with Belden 1694A (or equivalent) cable
- Fully hot-swappable from front of frame, with no fiber or BNC disconnect/reconnect required
- High density - accommodates up to 45 independent channels of optical conversion, in a single 3RU frame
- Signal and card status monitoring via four-digit card-edge display, or remotely through SNMP and VistaLINK® available
- Detection and display of input cable length
- Supports single-mode and multi-mode fiber optic cable (contact factory for multi-mode applications)
- SC/PC, ST/PC or FC/PC connector options
- Tally output on Frame Status bus upon loss of input signal
- Comprehensive signal and card status monitoring via four digit card edge display or remotely through SNMP and VistaLINK®
- Can be housed in either a 1RU frame which will hold up to 3 modules, a 3RU frame which will hold up to 15 modules, 350FR portable frame that holds up to 7 modules or a standalone frame which will hold 1 module
- VistaLINK® capability is available when modules are used with the 3RU 7800FR or 350FR portable frame and a 7700FC VistaLINK® Frame Controller module in slot 1 of the frame



► Specifications

<p>Standards: SMPTE 292M, SMPTE 259M A, B, C, D, SMPTE 297M, SMPTE 305M, SMPTE 310M, SMPTE 344M, M2S, DVB-ASI</p> <p>Serial Video Input: Number of Inputs: 3 (independent channels) Connector: 3 BNC per IEC 61169-8 Annex A Equalization: Automatic to 75m @ HD (1.485Gb/s) and 300m @ SD (270Mb/s) with Belden 1694A (or equivalent)</p> <p>Return Loss: > 14dB up to 1.5Gb/s</p>	<p>Optical Outputs: Number of Outputs: 3 (independent channels) Connector: SC/PC, ST/PC, FC/PC female housing Return Loss: > 14dB Rise/Fall Time: 270ps nominal Jitter: < 0.2 UI Nominal Wavelength: 1310nm 1550nm</p> <p>Optical Power: -7dBm ±1dBm @ 1310nm 0dBm ±1dBm @ 1550nm</p> <p>Electrical: Voltage: +12V DC Power: 6W</p> <p>Physical (number of slots): 350FR: 1 7700FR-C: 1 7800FR: 1</p>	<p>Compliance: Laser Safety: Class 1 laser product Complies with 24 CFR 1040.10 and 1040.11 IEC 60825-1 Complies with FCC Part 15, Class A EU EMC directive</p> <p>EMI/RFI: Complies with FCC Part 15, Class A EU EMC directive</p>
--	--	--

Receiver Compatibility Chart:

MODEL #	SD-SDI	HD-SDI
2405/7705/7707OE	x	
2405/7705/7707OE-HD	x	x
7705/7707OE-3	x	
7705/7707OE-3-HD	x	x
7707ADVR	x	
7707ADVR-HD	x	x
7707VAR-HD	x	x

► Ordering Information

7707EO13-3-HD	Triple HD or SD Electrical to Optical Converter, 19.4Mb/s or 143Mb/s -1.485Gb/s, 1310nm FP laser, VistaLINK®
7707EO15-3-HD	Triple HD or SD Electrical to Optical Converter, 19.4Mb/s or 143Mb/s -1.485Gb/s, 1550nm DFB laser, VistaLINK®

Ordering Options Rear Plate and Fiber Connector must be specified at time of order
Eg. Model +3RU +SC

Rear Plate Suffix
+3RU 3RU Rear Plate for use with 350FR, 7700FR-C or 7800FR Multiframe
+1RU 1RU Rear Plate for use with 7701FR Multiframe
+SA Standalone Enclosure Rear Plate

Connector Suffix
+SC SC/PC
+ST ST/PC
+FC FC/PC

Accessories:
Fiber Optic Patch Cable
 See CWDM & DWDM Ordering Information Page

Enclosures
350FR 3RU Portable Multiframe which holds up to 7 single slot modules
7700FR-C 3RU Multiframe which holds up to 15 single slot modules
7800FR 3RU Multiframe which holds up to 15 single slot modules
7701FR 1RU Multiframe which holds up to 3 single or dual slot modules
7801FR 1RU Multiframe which holds up to 4 single or 2 dual slot modules
S7701FR Standalone Enclosure