

7707DT, 7707DT-GPIO

Multi RS-232 / RS-422 / RS-485 / GPIO Fiber Data Transceiver

The 7707DT series Fiber Data Transceivers provide an economical method of transmitting multiple bi-directional RS-232, RS-422, RS-485 data signals as well as Linear Time Code (LTC) over a single fiber optic link. The 7707DT-GPIO version provides additional RS-232 and General Purpose Input/Outputs (GPIO). A pair of 7707DT Data Transceivers permits bi-directional data transmission over distances up to 100km, with minimum possible latency.

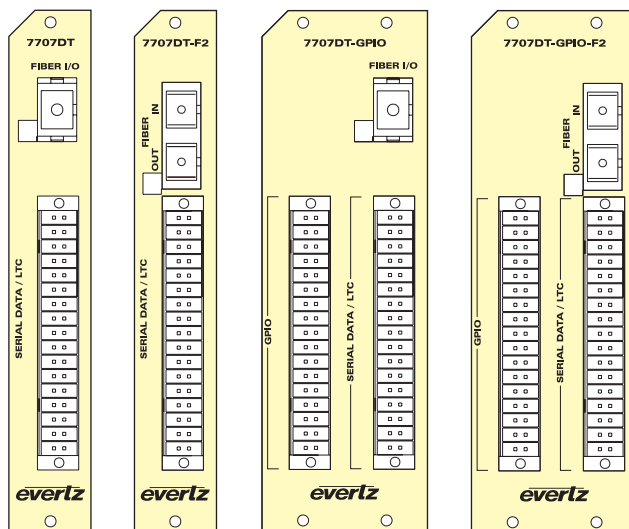
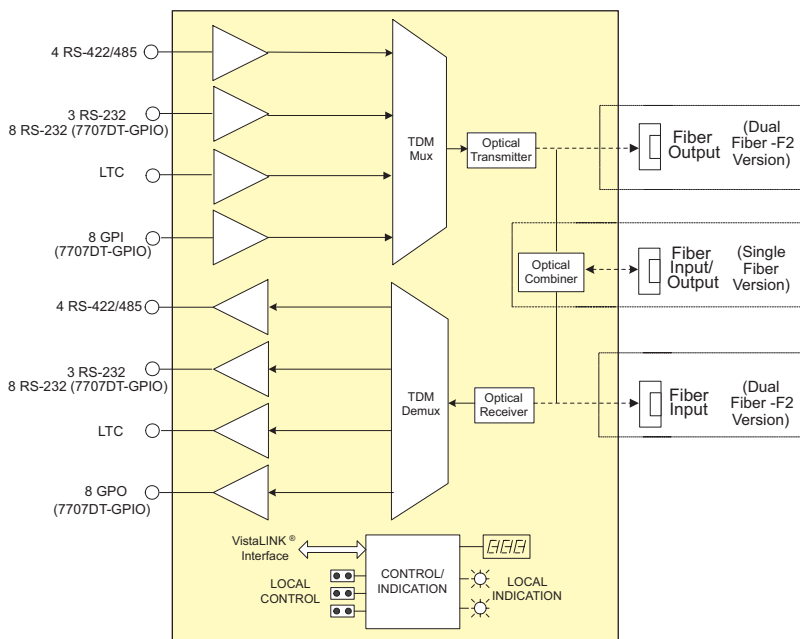
Single and dual fiber (-F2) optical interface configurations allow the user to choose the optimal function/price/performance to suit a particular application.

The dual fiber configuration is compatible with CWDM/DWDM systems and is designed to transmit and receive over separate fibers. The optical output of the 7707DT is available in 1310nm, 1550nm, CWDM and DWDM wavelengths.

The 7707DT occupies one card slot and can be housed in a 1RU frame that will hold up to 3 modules, a 3RU frame that will hold up to 15 modules (7 for -GPIO version), a 350FR portable frame that will hold up to 7 modules (3 for -GPIO version) or a standalone enclosure which holds 1 module. The 7707DT-GPIO occupies two card slots and can be housed in the same enclosures.

► Features & Benefits

- 7707DT transports four RS-422 or RS-485, three RS-232, and one LTC
- 7707DT-GPIO version provides five additional RS-232 and eight General Purpose Input/Outputs (GPIO)
- Selectable termination and failsafe bias settings for RS-422/485 data inputs
- Selectable network timeouts for RS-485 accommodates twelve data rates
- All configuration settings are controllable through the card-edge user interface, or VistaLINK®
- Optical output wavelengths of 1310nm, 1550nm, and up to sixteen CWDM wavelengths (ITU-T G.694.2 compliant)
- DWDM wavelengths also available (ITU-T G.694.1 compliant)
- Supports single-mode and multi-mode fiber optic cable (contact factory for multi-mode applications)
- SC/PC, ST/PC, or FC/PC* fiber connector options
- Fully hot-swappable from front of frame
- Comprehensive signal and card status monitoring via four digit card edge display or remotely through SNMP and VistaLINK®
- VistaLINK® capability is available when modules are used with the 3RU 7800FR or 350FR frame and a 7700FC VistaLINK® Frame Controller module in slot 1 of the frame





► Specifications

RS-422/RS-485 Serial Data:

Number of Signals: 4 Inputs/Outputs
 Connector: Multi-pin Removable Terminal Block
 Signal Type: RS-485 or RS-422 (selectable)
 Input Termination: 110Ω or Open (selectable)
 Input Failsafe Bias: 200mV (3.3mA into 60Ω) or None (selectable)

Bit Rate (max):
 RS-422: 460kb/s
 RS-485: 1.2kb/s, 2.4kb/s, 4.8kb/s, 9.6kb/s, 19.2kb/s, 38.4kb/s, 57.6kb/s, 76.8kb/s, 115kb/s, 153kb/s, 230kb/s, or 460kb/s (selectable)

RS-232 Serial Data:

Number of Signals:
 Standard Version: 3 Input/Outputs
 GPIO Version: 8 Inputs/Outputs
 Connector: Multi-pin Removable Terminal Block
 Signal Type: RS-232
 Bit Rate (max): 115kb/s

LTC Data:

Number of Signals: 1 Input/Output
 Connector: Multi-pin Removable Terminal Block
 Signal Type: SMPTE 12-1 Linear Time Code
 Input Level: 0.2 to 4V p-p (balanced or unbalanced)
 Rise/Fall Times: 40μs ± 10μs
 Output Level: 1V p-p nominal (balanced)

General Purpose Inputs (7707DT-GPIO ONLY):

Number of Signals: 8 Inputs
 Connector: Multi-pin Removable Terminal Block
 Type: Opto-isolated, Active low
 Input Voltage:
 Safe Voltage Range: -20V to +10V
 Off Condition (min): +3.5V
 On Condition (max): +2.5V (active low)
 Input Current (min): 1mA
 Input Current (max): 10mA (internally limited)

General Purpose Outputs (7707DT-GPIO ONLY):

Number of Signals: 8 Outputs
 Connector: Multi-pin Removable Terminal Block
 Output Type: Dry contact relay closure, normally open
 Output Current (min): 100mA

Optical Input/Output:

Connector:
 Single fiber version: 1 Bi-directional optical connector:
 SC/PC, ST/PC or FC/PC*
 female housing
 Dual fiber (F2) version:
 2 optical connector: SC/PC or ST/PC
 female housing
 Maximum Input Power:
 Single fiber versions:
 0dBm
 Dual fiber (F2) versions:
 0dBm
 Input Optical Sensitivity:
 WDM (-w version) -26dBm
 Standard: -28dBm
 Wavelengths:
 Standard: 1310nm, 1550nm
 CWDM: 1270nm - 1610nm
 DWDM: C-Band (ITU-T G.694.1 compliant)

Output Power:
 1310nm FP: -7dBm ± 1dBm
 1310nm (-W): -1dBm ± 1dBm
 1550nm, CDWM (DFB):
 0dBm ± 1dBm
 DWDM (DFB): +7dBm ± 1dBm

Electrical:

Voltage: 12V DC
 Power (max): 6W (Non DWDM), 8W (DWDM)
 EMI/RFI: Complies with FCC Part 15, Class A
 EU EMC Directive

Physical (number of slots):

350FR, 7700FR-C, 7800FR:
 7707DT: 1
 7707DT-GPIO: 2
 7701FR:
 7707DT: 1
 7707DT-GPIO: 1

Compliance:

Laser Safety: Class 1 laser product
 Complies with 24 CFR 1040.10 and 1040.11
 IEC 60825-1
 EMI/RFI: Complies with FCC Part 15, Class A
 EU EMC directive

► Ordering Information

7707DT13M-W	Multi RS-232/RS-422 Fiber Data Transceiver, single fiber, WDM, 1310nm FP, TX, RX on 1550nm, VistaLINK®
7707DT13M-W-GPIO	Multi RS-232/RS-422 and GPIO Fiber Data Transceiver, single fiber, WDM, 1310nm FP TX, RX on 1550nm, VistaLINK®
7707DT15-W	Multi RS-232/RS-422 Fiber Data Transceiver, single fiber, WDM, 1550nm DFB TX, RX on 1310nm, VistaLINK®
7707DT15-W-GPIO	Multi RS-232/RS-422 and GPIO Fiber Data Transceiver, single fiber, WDM, 1550nm DFB TX, RX on 1310nm, VistaLINK®
7707DT13-F2	Multi RS-232/RS-422 Fiber Data Transceiver, dual fiber, 1310nm FP TX & RX, VistaLINK®
7707DT13-F2-GPIO	Multi RS-232/RS-422 and GPIO Fiber Data Transceiver, dual fiber, 1310nm, FP TX & RX, VistaLINK®

For CWDM, please refer to the end of the fiber section for ordering information
7707DT-xx-F2 Multi RS-232/RS-422 Fiber Data Transceiver, dual fiber, CWDM TX
7707DT-xx-F2-GPIO Multi RS-232/RS-422 and GPIO Fiber Data Transceiver, dual fiber, CWDM TX

For DWDM, please refer to the end of the fiber section for ordering information
7707DTDxxx-F2 Multi RS-232/RS-422 Fiber Data Transceiver, dual fiber, DWDM TX
7707DTDxxx-F2-GPIO Multi RS-232/RS-422 and GPIO Fiber Data Transceiver, dual fiber, DWDM TX

Ordering Options

Rear Plate and Fiber Connector must be specified at time of order
 Eg: Model +SC +3RU

Rear Plate Suffix

+3RU 3RU Rear Plate for use with 350FR, 7700FR-C or 7800FR Multiframe
+1RU 1RU Rear Plate for use with 7701FR Multiframe
+SA Standalone Enclosure Rear Plate

Connector Suffix

+SC SC/PC
+ST ST/PC
+FC FC/PC*

*Note: FC/PC is only available on single fiber version

Enclosures

350FR 3RU Portable Multiframe which holds up to 7 single slot modules
7700FR-C 3RU Multiframe which holds up to 15 single slot modules
7800FR 3RU Multiframe which holds up to 15 single slot modules
7801FR 1RU Multiframe which holds up to 4 single or 2 dual slot modules
7701FR 1RU Multiframe which holds up to 3 single or dual slot modules
S7701FR Standalone Enclosure