

# 7705DWDM

## Dense WDM Optical Modules

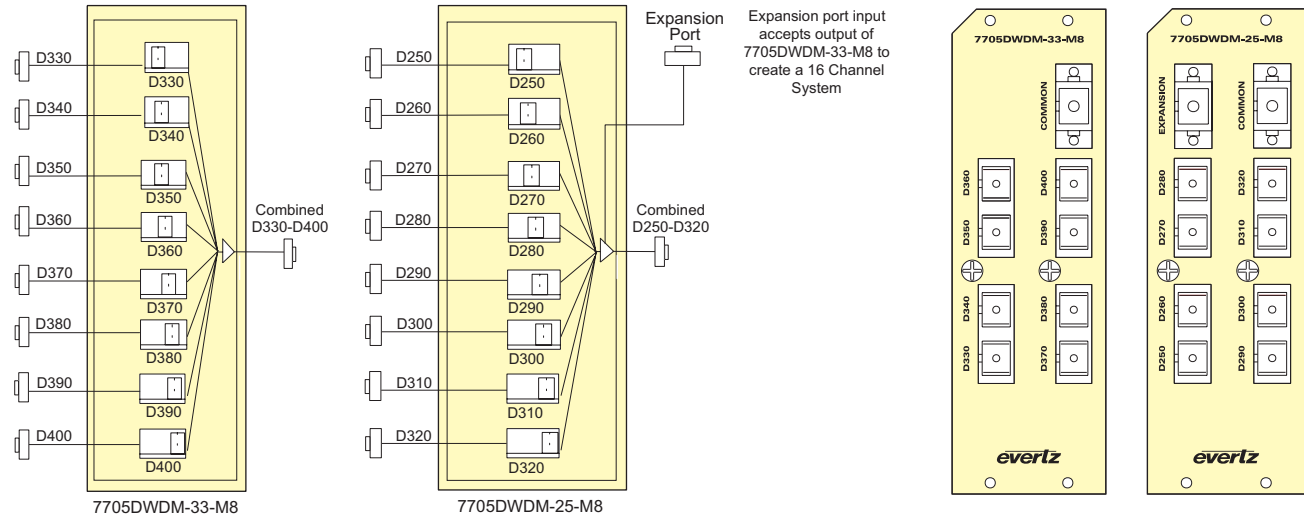
### ► Features & Benefits

- Cascadeable, bi-directional eight channel mux/demux modules
- ITU-T G.694.1 compliant 0.8nm (100GHz) channel spacing
- Capable of being inserted into CWDM 1550nm wavelength slot adding an additional 8 or 16 DWDM wavelengths to existing CWDM systems
- Passive design for any bit rate
- Low insertion loss to conserve system power
- High optical isolation for low crosstalk
- Fully hot-swappable from front of frame with no fiber disconnect/reconnect required
- SC/PC, ST/PC\*, FC/PC\* connector options
- Fiber protector to prevent connector damage

### Applications

- Multi-channel transport of video, audio, data, control in fiber limited applications
- Cost reduction exercises through fewer leased fibers
- Studio and Facility extension/expansion
- L-Band & IF Link transport
- STL and TSL Links
- Signal aggregation for outdoor and event coverage
- Signal aggregation for security and monitoring

\*7705DWDM to be used ONLY in Single Mode Fiber applications



### ► Specifications

<b>Optical Input/Output:</b>	Directivity:	> 40dB
Connector:	Max. Optical Power:	300mW or +25dBm
Wavelength:	Fiber Size:	9µm core/125µm overall
7705DWDM-25:	Return Loss:	> 45dB
7705DWDM-33:	Max Input Power:	+25dBm
Channel Spacing:		
Passband @ 0.5dB:	<b>Link Loss with Mux and Demux Combination:</b>	
Channel Uniformity:	7705DWDM-8:	< 4.5dB maximum loss (7705DWDM-25/33)
Isolation:	7705DWDM-16:	< 7.5dB maximum loss (7705DWDM-33 + 7705DWDM-25)
Adjacent Channel:		
Non-Adjacent Channel:		

<b>Physical (number of slots):</b>	
350FR:	2
7700FR-C:	2
7800FR:	2

### ► Ordering Information

<b>7705DWDM-25-M8</b>	8 Channel Cascadeable DWDM Mux, 100GHz Spacing, ITU Channel C25-C32
<b>7705DWDM-25-D8</b>	8 Channel Cascadeable DWDM Demux, 100GHz Spacing, ITU Channel C25-C32
<b>7705DWDM-33-M8</b>	8 Channel Cascadeable DWDM Mux, 100GHz Spacing, ITU Channel C33 to C40
<b>7705DWDM-33-D8</b>	8 Channel Cascadeable DWDM Demux, 100GHz Spacing, ITU Channel C33 to C40

<b>Connector Suffix</b>	
+SC	SC/PC
+ST	ST/PC*
+FC	FC/PC*

**Accessories**  
**Fiber Optic Patch Cable**  
 See CWDM & DWDM Ordering Information Page

\*\*Note: Retention screws have been added to the rear panels of these units. Please note that rear panels from older MUX DEMUX units will not be backwards compatible with newer rear panel units. (See block diagram for rear panel drawings).

**Ordering Options** Rear Plate and Fiber Connector must be specified at time of order  
 Eg: Model +3RU + SC

<b>Rear Plate Suffix</b>	
+3RU	3RU Rear Plate for use with 350FR, 7700FR-C or 7800FR Multiframe
+1RU	1RU Rear Plate for use with 7701FR Multiframe
+SA	Standalone Enclosure (with power supply)

\*Note: ST/PC & FC/PC connectors option is available on 'COMMON' and 'EXPANSION' ports only (SC/PC on remaining fiber I/O ports)

<b>Enclosures</b>	
<b>350FR</b>	3RU Portable Multiframe which holds up to 7 single slot modules
<b>7700FR-C</b>	3RU Multiframe which holds up to 15 single slot modules
<b>7800FR</b>	3RU Multiframe which holds up to 15 single slot modules
<b>7801FR</b>	1RU Multiframe which holds up to 4 single or 2 dual slot modules
<b>7701FR</b>	1RU Multiframe which holds up to 3 single or dual slot modules
<b>S7701FR</b>	Standalone Enclosure