

7702SP2, 7702SP-4, 7702SP2-LNB, 7702SP4-LNB

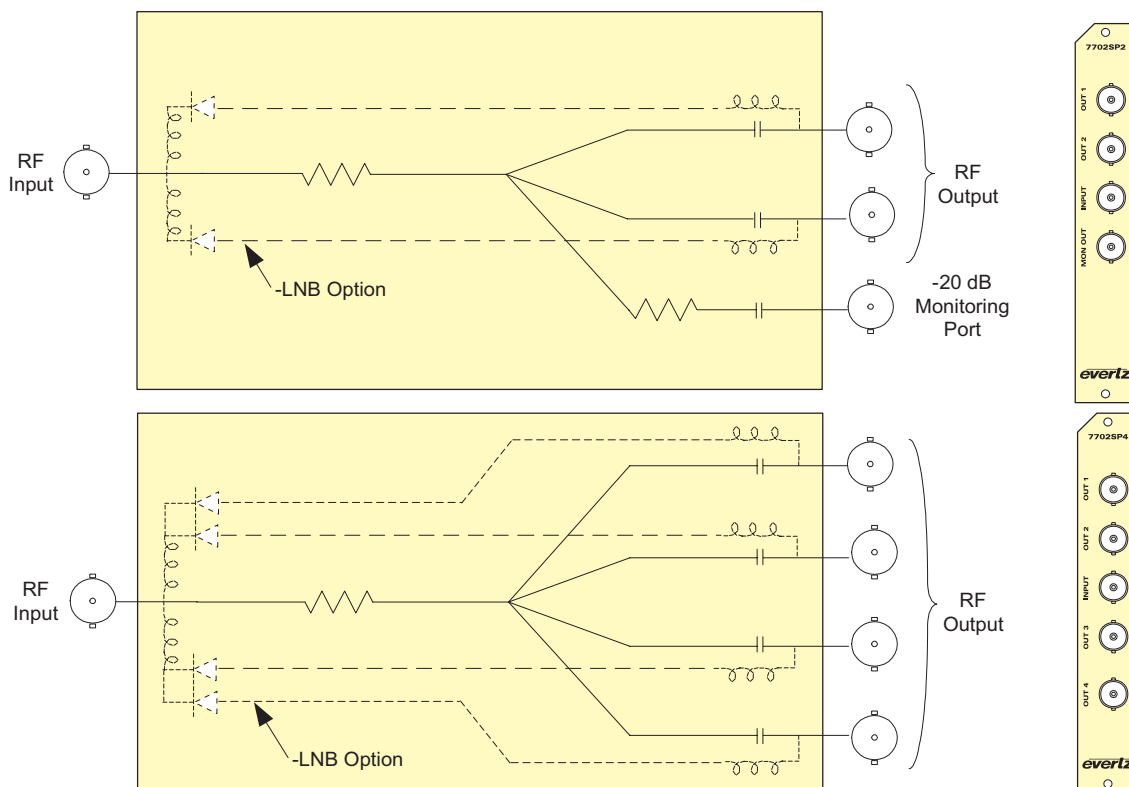
RF Passive Splitters

The 7702 series RF passive splitters provide distribution of RF signals in a 1x2 or 1x4 configuration (designated by SP2 or SP4 in the part number). The operating frequency range is 40MHz to 2200MHz allowing both 70/140MHz IF and L-band signal distribution. When equipped with the "-LNB" option, DC power can be passed through any of the outputs to the input for LNB power (input frequency range limited to 400MHz-2200MHz). Diode protection ensures that no conflicts arise in the event that multiple connections provide DC power.

The 7702SP2 and 7702SP4 occupy one card slot and can be housed in a 1RU frame which will hold up to three modules, a 3RU frame which will hold up to 15 modules, a 350FR portable frame that will hold up to 7 modules or a standalone enclosure.

►Features & Benefits

- Passes 40MHz-2200MHz frequency range RF signals (400MHz-2200MHz with -LNB option)
- Functions as a splitter or combiner
- 7700 series modular form factor for neat/clean system integration
- Completely passive design for high reliability
- Fully hot-swappable from front of frame
- -LNB option passes DC power to LNB



►Specifications

RF Input: Number of Inputs: 1 Connector: BNC, F type SMA optional I/O Impedance: 75Ω, 50Ω optional Input Frequency Range: 40-2200MHz -LNB Version: 400-2200MHz Return Loss: 250MHz-2200MHz: > 12dB	RF Outputs: Number of Outputs: 7702SP2: 2+1 Monitor 7702SP4: 4 Connector: BNC, F-Type and SMA optional Insertion Loss: 7702SP2: 5 ±1dB 7702SP4: 8 ±1dB Monitor: -20dB ±2dB referenced to the input port I/O Impedance: 75Ω, 50Ω optional	Return Loss: 250MHz-2200MHz: > 12dB Frequency Response: ± 1dB Physical (number of slots): 350FR: 1 7700FR-C: 1 7800FR: 1
---	--	--

►Ordering Information

7702SP2	1x2 Passive RF Splitter
7702SP2-LNB	1x2 Passive RF Splitter, passes LNB power
7702SP2-B50	1x2 Passive RF Splitter, 50Ω BNC Connectors
7702SP2-LNB-B50	1x2 Passive RF Splitter, passes LNB power, 50Ω BNC Connectors
7702SP2-S50	1x2 Passive RF Splitter, 50Ω SMA Connectors
7702SP2-LNB-S50	1x2 Passive RF Splitter, passes LNB power, 50Ω SMA Connectors
7702SP4	1x4 Passive RF Splitter
7702SP4-LNB	1x4 Passive RF Splitter, passes LNB power
7702SP4-B50	1x4 Passive RF Splitter, 50Ω BNC Connectors
7702SP4-LNB-B50	1x4 Passive RF Splitter, passes LNB power, BNC Connectors
7702SP4-S50	1x4 Passive RF Splitter, 50Ω SMA Connectors
7702SP4-LNB-S50	1x4 Passive RF Splitter, passes LNB power, SMA Connectors

Rear Plate Suffix:	
+3RU	3RU Rear Plate for use with 350FR, 7700FR-C or 7800FR Multiframe
+1RU	1RU rear plate for use with 7701FR Multiframe
+SA	Standalone Enclosure Rear Plate

Connector Suffix:	
+F75	75Ω F type connectors

Enclosures	
350FR	3RU Portable Multiframe which holds up to 7 single slot modules
7700FR-C	3RU Multiframe which holds up to 15 single slot modules
7800FR	3RU Multiframe which holds up to 15 single slot modules
7801FR	1RU Multiframe which holds up to 4 single or 2 dual slot modules
7701FR	1RU Multiframe which holds up to 3 single or dual slot modules
S7701FR	Standalone Enclosure

Ordering Options Rear Plate must be specified at time of order
 Eg: Model +SC +3RU

