

7700DA6-L

SD-SDI Reclocking Distribution Amplifier with Loop Thru

The 7700DA6-L is an inexpensive 1x6 SD-SDI Distribution Amplifier with passive loop thru which allows for cascading of multiple DA cards. It amplifies serial digital video signal at rates of 19.4Mb/s and 143Mb/s to 540Mb/s.

The 7700DA6-L features an auto-equalized input with 6 reclocked outputs. The 7700DA6-L has been designed for use as a SMPTE 310M (19.4Mb/s), DVB-ASI, M2S or SMPTE 259M distribution product. SMPTE 310M support is selected by setting a rate select jumper.

The 7700DA6-L occupies one card slot and can be housed in a 1RU frame which will hold up to 3 modules, a 3RU frame which will hold up to 15 modules, a 350FR portable frame which will hold up to 7 modules or a standalone enclosure that will hold 1 module.

►Features & Benefits

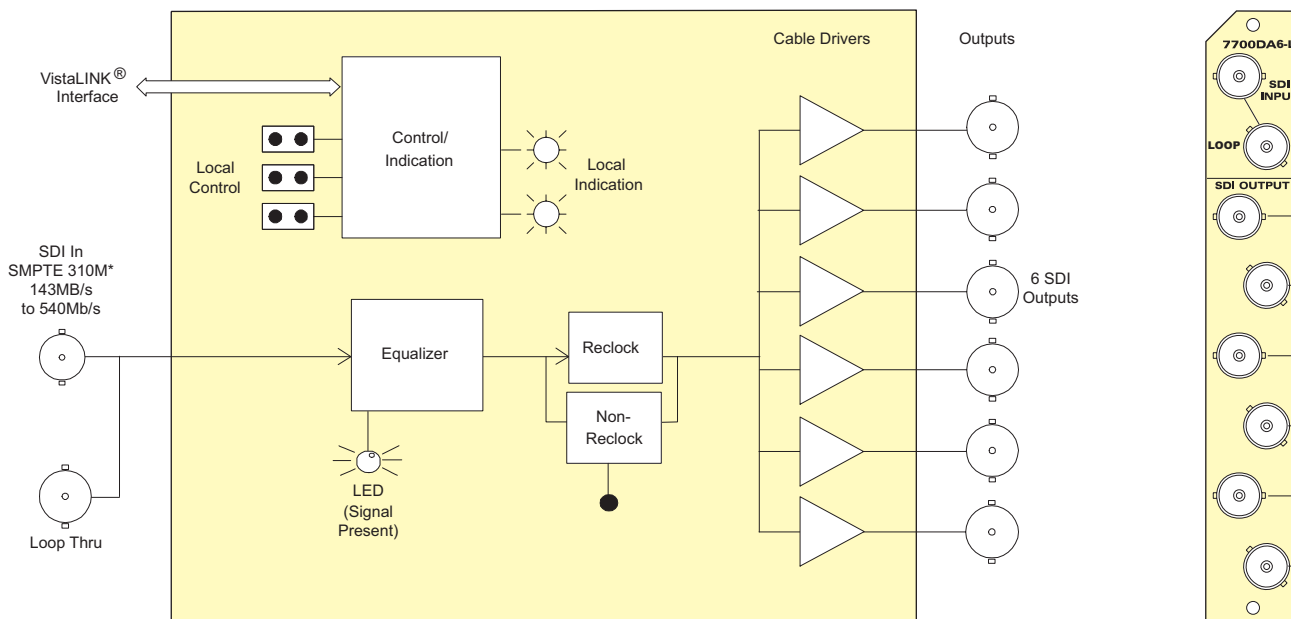
- Supports up to 540Mb/s operation
- DVB-ASI compatible
- Non reclocking mode for SMPTE 310M
- Features independent isolated output drivers to ensure no cross channel loading effects (i.e. no need to terminate unused outputs)
- VistaLINK® capable for remote monitoring, control and configuration capabilities via SNMP; using VistaLINK®PRO, CP-2116E or CP-2232E Control Panels. VistaLINK® is available when modules are used with the 3RU 7800FR frame and a 7700FC VistaLINK® Frame Controller module in slot 1 of the frame
- Return loss > 15dB up to 540Mb/s
- 300m auto eq. at 270Mb/s (Belden 8281)
- 210m auto eq. at 540Mb/s (Belden 8281)

Outputs:

- 6 reclocked outputs
- 1 passive looping output
- Return loss > 15dB up to 540Mb/s
- Wideband jitter < 0.2 UI

Card Edge LEDs:

- Signal presence
- Module Health Status



*Note: Non-Reclocking Mode will operate 19.4Mb/s to 540Mb/s

►Specifications

Serial Video Input:

Standard: SMPTE 259M A, B, C, D, DVB-ASI, M2S, SMPTE 310M (19.4Mb/s jumper selected)
 Connector: BNC per IEC 61169-8 Annex A
 Equalization: Automatic to 300m @ 270Mb/s with Belden 8281 (or equivalent)
 Return Loss: > 15dB up to 540Mb/s

Serial Video Output:

Reclocked Outputs: 6
 Passive Looping Outputs: 1
 Connector: BNC per IEC 61169-8 Annex A
 Signal Level: 800mV nominal
 DC Offset: 0V ± 0.5V
 Rise and Fall Time: 740ps nominal
 Overshoot: <10% of amplitude
 Return Loss: >15dB up to 540Mb/s
 Wideband Jitter: <0.2 UI

Physical (number of slots):

350FR: 1
 7700FR-C: 1
 7800FR: 1

Electrical:

Voltage: +12V DC
 Power: 6W
 EMI/RFI: Complies with FCC Part 15, Class A
 EU EMC Directive

►Ordering Information

7700DA6-L SD-SDI Reclocking Distribution Amplifier with Loop Thru

Ordering Options Rear plate must be specified at time of order
 Eg: Model +3RU

Rear Plate Suffix
+3RU 3RU Rear Plate for use with 350FR, 7700FR-C or 7800FR Multiframe
+1RU 1RU Rear Plate for use with 7701FR Multiframe
+SA Standalone Enclosure Rear Plate

Accessories

7700FC VistaLINK® Frame Controller
CP-2116E-H Remote Control Panel
CP-2232E Remote Control Panel

Enclosures:

350FR 3RU Portable Multiframe which holds up to 7 single slot modules
7700FR-C 3RU Multiframe which holds up to 15 single slot modules
7800FR 3RU Multiframe which holds up to 15 single slot modules
7801FR 1RU Multiframe which holds up to 4 single or 2 dual slot modules
7701FR 1RU Multiframe which holds up to 3 single or dual slot modules
S7701FR Standalone enclosure