

# 7700DA-DS3

## DS3 Distribution Amplifier

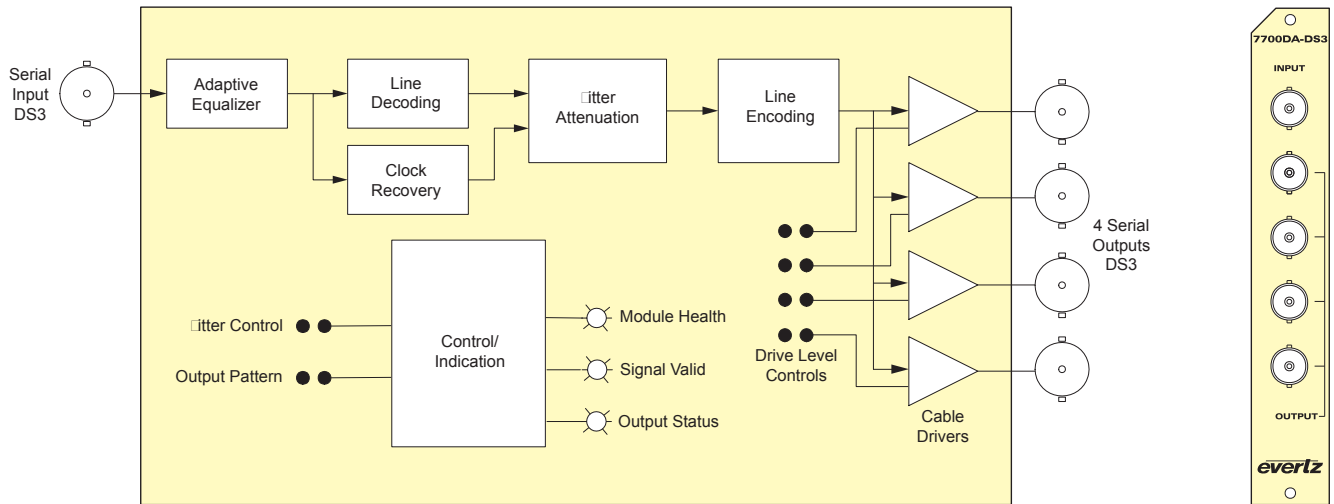


The 7700DA-DS3 Distribution Amplifier provides automatic coaxial cable equalization, reclocking and signal distribution of DS3 (44.736Mb/s), signals. The 7700DA-DS3 accepts a B3ZS-encoded Alternate Mark Inversion (AMI) input signal and provides four reclocked outputs.

The 7700DA-DS3 occupy one card slot and can be housed in a 1RU frame which will hold up to four modules, a 3RU frame which will hold up to 15 modules, a 350FR portable frame which will hold up to seven modules or a standalone enclosure that will hold one module.

### Features & Benefits

- Supports DS3 (44.736Mb/s)
- Accepts B3ZS-encoded AMI input signals
- Automatic cable equalization for up to 1000ft of high quality 75Ω cable
- Signal reclocking and optional jitter attenuator
- Output wave shaping for DS3 standards compliance
- High/Low output amplitude setting for long/short cable lengths
- Loss of signal (LOS) detection/indication
- Outputs 1's pattern generation upon loss of input signal
- Electrical output drive level control for enhanced distance
- Transformer coupled inputs/outputs
- Input/output transient protection



### Specifications

Inputs:		Outputs:		Physical (number of slots):	
Standard:	DS3 (44.7346Mb/s)	Number of Outputs:	4 per card reclocked	350FR:	1
Number of Inputs:	1	Connector:	BNC per IEC 61169-8 Annex A	7700FR-C:	1
Connector:	Isolated BNC per IEC 61169-8 Annex A	Waveform:	Conforms to G.703 compliant masks	7800FR:	1
Equalization:	Automatic to 300m with Belden 8281 or equivalent cable	Return Loss:	> 18dB up to 44Mb/s		
Return Loss:	>20dB up to 44Mb/s	<b>Electrical:</b>			
		Voltage:	+12V DC		
		Power:	6W		
		EMI/RFI:	Complies with FCC Part 15, Class A Complies with EU EMC Directive		

### Ordering Information

7700DA-DS3	DS3 Distribution Amplifier	Enclosures	
<b>Ordering Options</b>	Rear Plate must be specified at time of order (Eg: Model +3RU)	<b>350FR</b>	3RU Portable Multiframe which holds up to 7 single slot modules
<b>Rear Plate Suffix</b>		<b>7700FR-C</b>	3RU Multiframe which holds up to 15 single slot modules
<b>+3RU</b>	3RU Rear Plate for use with 350FR, 7700FR-C or 7800FR Multiframe	<b>7800FR</b>	3RU Multiframe which holds up to 15 single slot modules
<b>+SA</b>	Standalone Enclosure Rear Plate	<b>7801FR</b>	1RU Multiframe which holds up to 4 single or 2 dual slot modules
		<b>S7701FR</b>	Standalone enclosure

