

# 7700DA-AESU

## Auto Equalizing Unbalanced AES/EBU Distribution Amplifier (1x5)



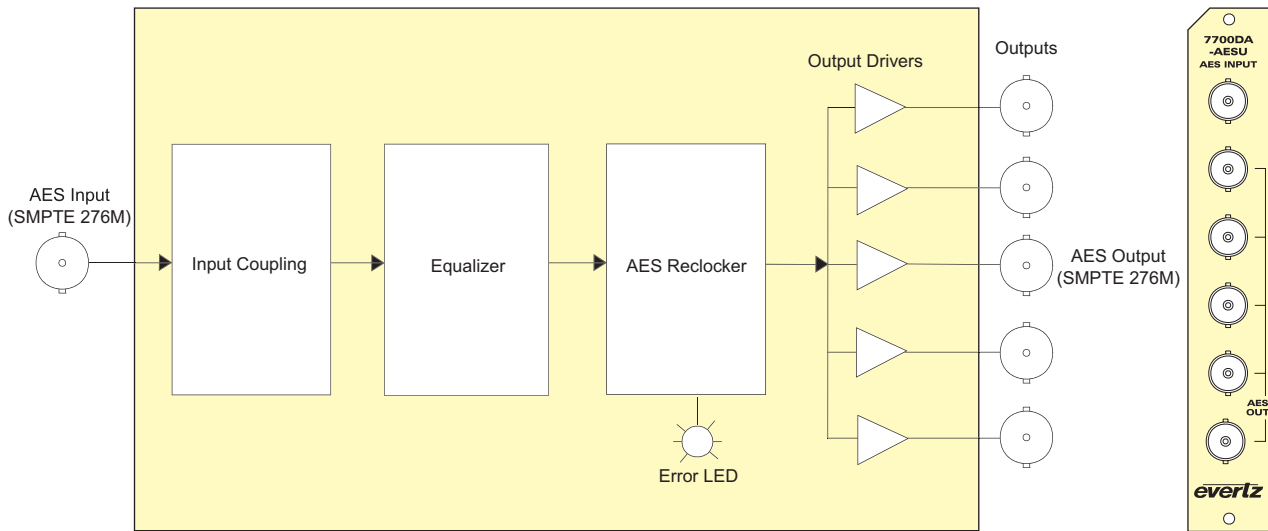
The 7700DA-AESU is a five output reclocking and auto equalizing DA for 75Ω unbalanced AES signals. The DA will automatically equalize AES signals on Belden 1694A coax to 1500m. The DA will reclock data with sampling frequencies of 32kHz, 44.1kHz, 48kHz and 96kHz.

The 7700DA-AESU card edge LED indicators provide quick and accurate assessment of the incoming signal integrity. The 7700DA-AESU also provides a contact closure output that can be configured using on-board jumpers to assert when an input error condition exists.

The 7700DA-AESU occupies one card slot and can be housed in a 1RU frame which will hold up to 3 modules, a 3RU frame which will hold up to 15 modules, a 350FR portable frame which will hold up to 7 modules or a standalone enclosure that will hold 1 module.

### ► Features & Benefits

- SMPTE 276M standard for AES audio on 75Ω coax
- Transformer coupled 75Ω unbalanced input (selectable Hi-Z)
- Data reclocking provides jitter reduction
- Automatic equalization
- EQ and reclock provide extended cable length compensation (> 1500m)
- Five 75Ω coax outputs
- Error LED indication for input PLL out of lock, parity error or biphas coding error
- External indication of input error condition using contact closure output



### ► Specifications

#### AES Input:

Standard: SMPTE 276M  
 Number of Inputs: 1  
 Connector: BNC per IEC 61169-8 Annex A  
 Input Level: 1V p-p  
 Coupling: Transformer  
 Input Impedance: 75Ω (Selectable Hi-Z)  
 Return Loss: > 25dB at 100kHz to 6MHz  
 Equalization: Automatic to 1500m with Belden 1694A (or equivalent) @ 48kHz AES signal  
 Sampling Frequency: 32kHz, 44.1kHz, 48kHz and 96kHz

#### AES Output:

Number of Outputs: 5 per card reclocked  
 Connector: BNC per IEC 61169-8 Annex A  
 Output Level: 1V p-p  
 Output Impedance: 75Ω  
 Return Loss: > 25dB 100kHz to 6MHz

#### Physical (number of slots):

350FR: 1  
 7700FR-C: 1  
 7800FR: 1

#### Electrical:

Voltage: +12V DC  
 Power: 1.2W  
 EMI/RFI: Complies with FCC Part 15, Class A EU EMC Directive

### ► Ordering Information

**7700DA-AESU** Auto Equalizing Unbalanced AES/EBU Distribution Amplifier (1X5)

**Ordering Options** Rear Plate must be specified at time of order  
 Eg: Model +3RU

#### Rear Plate Suffix

+3RU 3RU Rear Plate for use with 350FR, 7700FR-C or 7800FR Multiframe  
 +1RU 1RU Rear Plate for use with 7701FR Multiframe  
 +SA Standalone Enclosure Rear Plate

#### Enclosures

350FR  
 7700FR-C  
 7800FR  
 7801FR  
 7701FR  
 S7701FR

3RU Portable Multiframe which holds up to 7 single slot modules  
 3RU Multiframe which holds up to 15 single slot modules  
 3RU Multiframe which holds up to 15 single slot modules  
 1RU Multiframe which holds up to 4 single or 2 dual slot modules  
 1RU Multiframe which holds up to 3 single or dual slot modules  
 Standalone enclosure