



The 7700ACO2 is the industries leading smart automatic changeover (ACO) for standard definition 270Mb/s serial digital video signals.

This device provides:

- Dual processing paths on a single module
- Smart SD-SDI automatic protection switching of both paths
- Video and Audio Proc Amp Control
- Built in Trouble Slide per ACO
- Optional IntelliGain™ Audio Loudness Processing with Dynamic Audio Range Control

These modules have dual independent processing paths providing both high density and availability of SD-SDI video inputs signals (program and back-up). The 7700ACO2 incorporates Evertz® essential audio and video monitoring which is used to drive the real time automatic switch logic processor.

The 7700ACO2 can optionally be ordered with Evertz® patented IntelliGain™ Audio and Loudness Processor. The IntelliGain™ audio processing engine provides a full compressor/limiter and loudness calculator that processes long-term trends in the audio content and uses a multi-minute time coefficient, which applies a smooth attack producing the final target loudness output.

►Features & Benefits

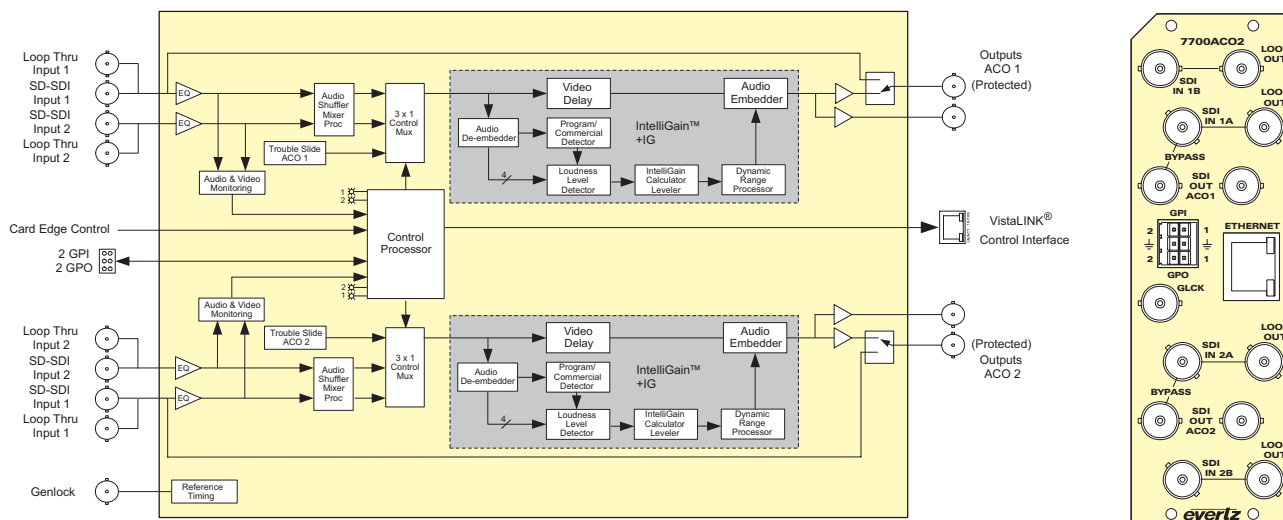
Video Inputs and Outputs

- Smart Automatic changeover based on user programmable switch logic
- Card edge menu control for configuration of operating modes and LEDs for reporting signal presence, router state, module status
- Bypass relay protection on main program output
- VistaLINK® capable for remote monitoring, control and configuration capabilities via SNMP; using VistaLINK® PRO, CP-2116E or CP-2232E Control Panels.

VistaLINK® is available when modules are used with the 3RU 7800FR frame and a 7700FC VistaLINK® Frame Controller module in slot 1 of the frame

IntelliGain Audio and Loudness Processor

- Consistent audio loudness levels within a channel and/or program
- Automatic detection and level adjust for loud commercials
- Gain control within a program interval to preserve audio dynamic range
- Artifact-free transitions between program and commercials
- Elimination of drastic volume changes during commercials and interstitials



►Specifications

Serial Video Input:

Standard: 270Mb/s SMPTE 259M-C (525i/59.94 or 625i/50)
 Connector: 2 BNC per IEC 61169-8 Annex A
 Input Equalization: Automatic to 300m @ 270Mb/s with Belden 8281 or equivalent cable
 Return Loss: > 20dB up to 270MHz

Serial Video Output:

Standard: Same as input
 Number of Outputs: 2 Smart switched program outputs (Input 1 is bypass relay protected)
 Loop thru on Input A and Input B
 Connector: BNC per IEC 61169-8 Annex A
 Signal Level: 800mV nominal
 DC Offset: 0V ±0.5V
 Rise and Fall Time: 900ps nominal
 Overshoot: < 10% of amplitude
 Return Loss: > 20dB up to 270MHz
 Jitter: < 0.10 UI

Electrical:

Voltage: +12V DC
 Power: 20W
 EMI/RFI: Complies with FCC regulations for Class A devices
 Complies with EU EMC directive

Physical (number of slots):

350FR: 2
 7700FR-C: 2
 7800FR: 2

►Ordering Information

7700ACO2	Dual SD-SDI Smart Automatic Changeover
Ordering Options	Rear Plate must be specified at time of order Eg: Model +3RU
+IG	Integrated IntelliGain™ Audio and Loudness Processor
+TL	Thumbnails option with monitoring
Rear Plate Suffix	
+3RU	3RU Rear Plate for use with 350FR, 7700FR-C or 7800FR Multiframe

Accessories	
7700FC	VistaLINK® Frame Controller
CP-2116E-H	Remote Control Panel
CP-2232E	Remote Control Panel
Enclosures	
350FR	3RU Portable Multiframe which holds up to 7 single slot modules
7700FR-C	3RU Multiframe which holds up to 15 single slot modules
7800FR	3RU Multiframe which holds up to 15 single slot modules
7801FR	1RU Multiframe which holds up to 4 single or dual slot modules