

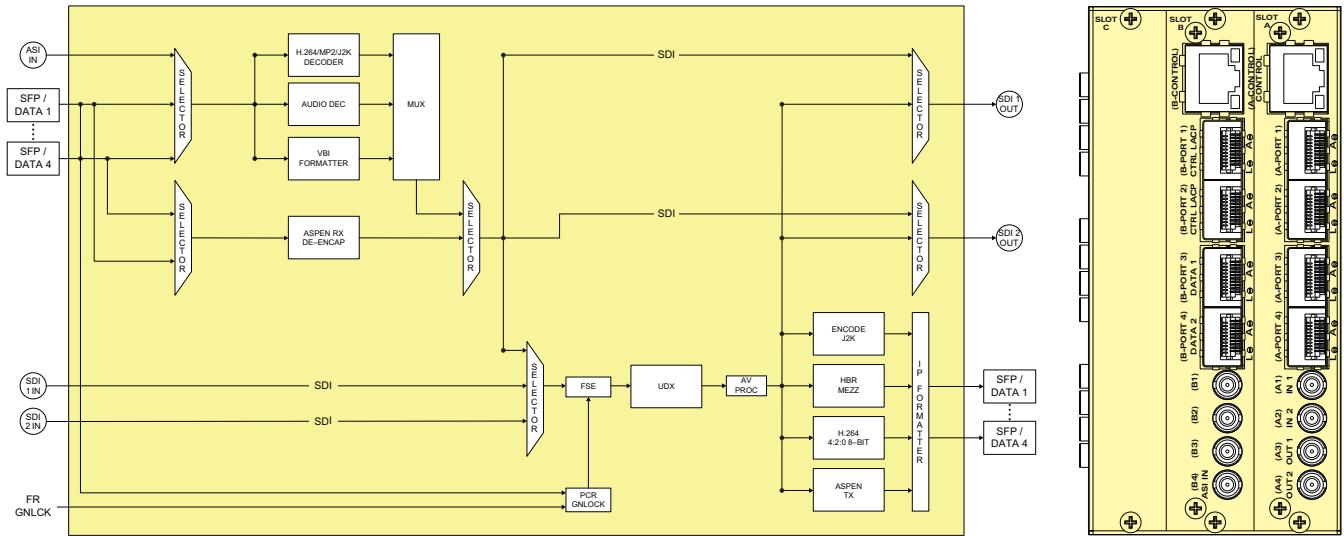
Content creators and providers today must have expansive infrastructure to handle all of the different signal types feeding into their facilities — especially with the transition to IP, many facilities today operate in a hybrid environment. Ingested content entering the workflow needs to be processed and ready to output for a variety of platforms and formats, which traditionally necessitates separate video processors, gateways, encoders, decoders, transcoders, up/down/cross converters and IPTV encoders. Evertz' 570iTXE offers facilities the flexibility to take anything in and send anything out by providing a single point of entry for all compressed and uncompressed signals, which eliminates the need for bulky workflows. This makes 570iTXE the ideal solution for hybrid broadcast facilities and broadcasters looking to transition to IP.

The 570iTXE will act as the front edge of signal/content acquisition. The iTXE will create multiple transcoded versions ("tracks") of each signal which can be routed, recorded, edited and played out from other downstream products.

The 570iTXE provides incredible versatility, for example, if low latency is required the downstream device can use the J2K (or even ASPEN/SMPTE ST 2110) track, or the AVI-C track if editing is required. If basic in-house monitoring or rough cut editing via an external device is needed, low bitrate H.264 can be used. This offers incredible flexibility to live production workflows.

Features & Benefits

- Triple stage output encoder: H.264 (4:2:0/8-bit, 4:2:2/10-bit) and ASPEN/SMPTE ST 2110 ****/J2K ***
- Video Standard: 525i/59.94, 625i/50, 720p/59.94, 720p/50, 1080i/59.94, 1080i/50, 1080p/59.94 Level A, 1080p/50 Level A
- Easy-to-use web browser interface and/or SNMP for configuration and control
- Decoder stage supports H.264, MPEG-2 and JPEG2000
- Video and Audio processing
- Metadata Processing
- Local actions driven from Metadata embedded within the SDI stream (JSON formatted Metadata)
- Option to GOP lock 4:2:0/8-bit and 4:2:2/10-bit output



Specifications

Decoder Specifications:

Video:
• Support for MPEG-2/H.264 and J2K *

Audio:

- AAC (Stereo only) *
- Dolby Plus *
- Dolby-E *
- AC3 (Stereo/5.1) *
- MPEG-2 *

Uncompressed Over IP Specifications:

- ASPEN, SMPTE ST 2110 ***
- PTP locking supported for sync rates of 32Hz and above

Video Encoder Specifications: **

- H.264 4:2:0 8-bit output: up to 15 Mb/s
- H.264 4:2:2 10-bit output: up to 80 Mb/s
- J2K 4:2:2 10-bit output: up to 250 Mb/s ***

Audio Encoder Specifications:

- AAC *
- Dolby-E *
- PCM

Data Flow:

- 2x 10GbE
- 2x 1GbE ****

A/V Proc:

- Video Gain
- Saturation Gain
- Cb Gain
- Audio Gain
- Audio Mixing
- Y offset
- Hue
- Cr Gain
- Audio inversion

UDX:

- Up/down/cross conversion
- Aspect Ratio Conversion *

FSE:

Frame sync through genlock and master PCR

Inputs:

- DIN for Video processing/encoding stage and ASI input
- IP for Video and Metadata in

Control:

- SNMP with Ethernet access provided by a local frame controller
- WebEasy
- LACP Control ****

Physical (number of slots):

570FR 3 (3 Frame slots per blade or 4 Transcodes per frame)

* Requires license

** Contact factory for other codec support

*** Future roadmap

**** Based on application firmware, 1GbE ports can be used for LACP control or GbE data

Ordering Information

570ITXE–HW–P60 IP On Ramp Gateway, support for SDI input, H.264 IPTV and uncompressed over IP outputs enabled. Support for decoding, Mezz encode, J2K encode, UDX and audio encoding/decoding requiring firmware keys to activate. (Excludes SFPs)

Ordering Options:

570ITXE–FK–DEC Feature key enabling MPEG–2/H.264/J2K decoding
570ITXE–FK–UDC Feature key enabling Up/Down/Cross conversion
570ITXE–CK–MEZZ Channel key enabling H.264 4:2:2 10–Bit Mezzanine encode
570ITXE–CK–XDCAM Channel key enabling HD MPEG–2 XDCAM encode
570ITXE–CK–J2KP60 3G/HD/SD JPEG2000 Encoder License for 570ITXE
570ITXE–FK–AACD AAC Decode software option (up to 5.1)

570ITXE–FK–AACE AAC Encode software option (up to 5.1)
570ITXE–FK–AC3E AC3 Encode software option (up to 5.1)
570ITXE–FK–DD AC3/Dolby–E Decode software option (up to 8 channels)
570ITXE–FK–DDPE Dolby Digital Plus Encode software option (up to 7.1)
570ITXE–FK–DEE Dolby–E Encode software option (up to 7.1)
570ITXE–FK–MP1L2D MPEG1–L2 Decode software option (up to 2 channels)
570ITXE–FK–MP1L2E MPEG1–L2 Encode software option (up to 2 channels)

SFP Modules (sold separately):

SFP10G–TR13–A 10GbE optical SFP+
SFP10G–TR85–A 10GbE optical SFP+, MMF
SFPTR–RJ45–SGM–AV 1x 10/100/1000 Ethernet Copper RJ–45 for IP Streaming Output