

# 500ADA

## Analog Video Distribution Amplifier (1x9)

The 500ADA Analog Video Distribution Amplifier is a general purpose amplifier for distributing 75Ω analog signals. The 500ADA features one balanced input with nine outputs. The 500ADA has been designed to distribute a wide range of analog video signals. It can also distribute other pulses and signals that do not exceed 2V p-p.

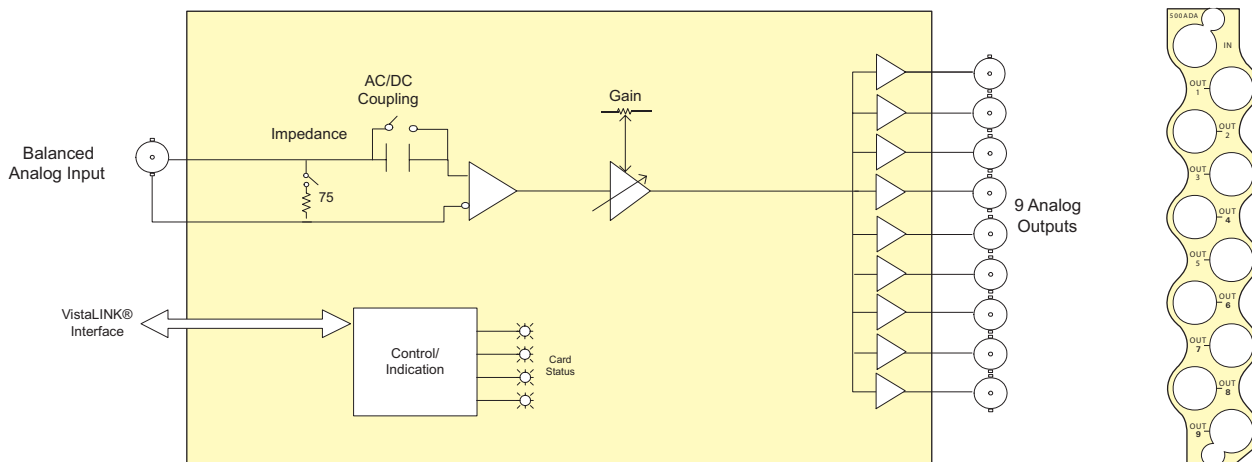
The 500ADA is housed in the 3RU 500FR **exponent** frame that will hold up to 16 modules.

### ►Features & Benefits

- 75Ω or high impedance input (jumper selectable)
- High common mode range and common mode rejection ratio (CMRR)
- Gain control
- Jumper selectable AC or DC coupling
- Looping feature with external "T" connector
- Consistent input impedance if card power is lost
- VistaLINK® -capable for remote monitoring via SNMP (using VistaLINK® PRO) when installed in 500FR frame with 500FC VistaLINK® Frame Controller

### Card Edge LEDs

- Module status/Local Fault
- Power supply status



### ►Specifications

#### Analog Video Input:

Standards: Any analog video format, up to 2V p-p and 30MHz bandwidth  
Connector: 1 BNC per IEC 61169-8 Annex A  
Common mode range: > 6V p-p  
CMRR: > 70dB to 1kHz  
Signal amplitude: 2.5V p-p max  
Impedance: 75Ω terminated, 35kΩ Hi-Z (jumper selectable)  
Coupling: AC or DC (jumper selectable)  
Return loss: > 40dB to 10MHz, > 30dB to 30MHz

#### Analog Video Outputs:

Number of Outputs: 9 Per Card  
Connector: BNC per IEC 61169-8 Annex A  
Output impedance: 75Ω  
Gain control range: ±5dB  
Freq. Response: < ±0.05dB (to 5.5MHz)  
Differential Gain: < 0.17%  
Differential Phase: < 0.19°  
C/L gain inequality: < ±0.1%  
C/L Delay: < ±2ns  
Output isolation: 42dB to 10MHz, 32dB to 30MHz  
Output return loss: > 40dB to 30MHz  
Noise performance: < -78dB RMS NTC7 weighting  
< -70dB RMS 15kHz to 5.5MHz

#### Electrical:

Voltage: +12V DC  
Power: 1.2W  
EMI/RFI: Complies with FCC Part 15 Class A, EU EMC Directive

#### Physical:

Number of Slots: 1

### ►Ordering Information

**500ADA** Analog Video Distribution Amplifier (1x9)

**Enclosures**  
**500FR**  
**S501FR**

**exponent**  
Compact High Density Distribution Frame  
Standalone enclosure

**Accessories:**  
**500FC**  
**CP-2116E-H**  
**CP-2232E**

VistaLINK® Frame Controller  
Remote Control Panel  
Remote Control Panel