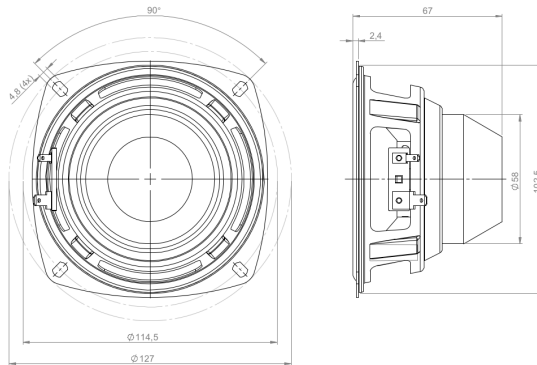


4NDS34

8Ω**LF Drivers - 4.0 Inches**

- 200 W continuous program power capacity
- 33 mm (1.3 in) copper voice coil
- 80 - 2000 Hz response
- 89 dB sensitivity
- Neodymium magnet allows a very light yet powerful motor assembly



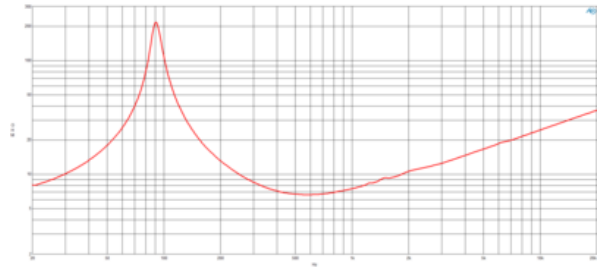
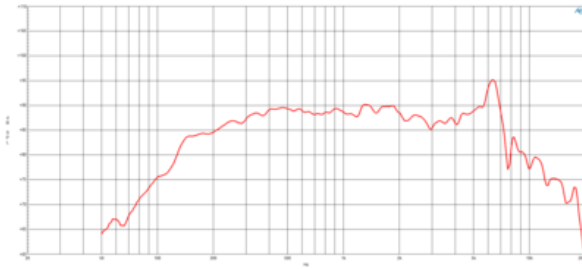
Description

Unique to B&C, a complete lineup of high sensitivity and power handling 4" frame transducers. These high technology products are made with our famously critical quality control, allowing new compact loudspeaker designs with appropriately scaled performance. The 4NDS34 features a 1.3" copper coil, 200W continuous power handling, and frequency response from 80 - 2000Hz.

OEM Quantities only...

4NDS34

LF Drivers- 4.0 Inches



SPECIFICATIONS

| | |
|--|-------------------|
| Nominal Diameter | 100 mm (3.94 in) |
| Nominal Impedance | 8 Ω |
| Minimum Impedance | 6.2 Ω |
| Nominal Power Handling ¹ | 100 W |
| Continuous Power Handling ² | 200 W |
| Sensitivity ³ | 89.0 dB |
| Frequency Range | 80 - 2000 Hz |
| Voice Coil Diameter | 33 mm (1.3 in) |
| Winding Material | Copper |
| Former Material | Glass Fibre |
| Winding Depth | 11.0 mm (0.43 in) |
| Magnetic Gap Depth | 7.0 mm (0.28 in) |
| Flux Density | 1.25 T |

DESIGN

| | |
|-----------------------|---|
| Surround Shape | Roll |
| Cone Shape | Exponential |
| Magnet Material | Neodymium Inside Slug |
| Spider | Single |
| Pole Design | T-Pole |
| Woofer Cone Treatment | TWP Waterproof Both Sides |
| Recommended Enclosure | 3.0 dm ³ (0.11 ft ³) |
| Recommended Tuning | 90 Hz |

PARAMETERS⁴

| | |
|---------------------|--|
| Resonance Frequency | 79 Hz |
| Re | 5.5 Ω |
| Qes | 0.25 |
| Qms | 8.5 |
| Qts | 0.24 |
| Vas | 2.6 dm ³ (0.09 ft ³) |
| Sd | 57.0 cm ² (8.84 in ²) |
| η _o | 0.5 % |
| Xmax | 3.8 mm |
| Maximum Excursion | 5.0 mm |
| Mms | 7.2 g |
| Bl | 8.8 Txm |
| Le | 0.21 mH |
| EBP | 316 Hz |

MOUNTING AND SHIPPING INFO

| | |
|-------------------------------|--|
| Overall Diameter | 127 mm (5.0 in) |
| Bolt Circle Diameter | 114 mm (4.51 in) |
| Baffle Cutout Diameter | 103.0 mm (4.06 in) |
| Depth | 67 mm (2.64 in) |
| Flange and Gasket Thickness | 3 mm (0.12 in) |
| Air Volume Occupied by Driver | 0.25 dm ³ (0.01 ft ³) |
| Net Weight | 0.57 kg (1.26 lb) |
| Shipping Units | 24 |
| Shipping Weight | 14.0 kg (30.86 lb) |
| Shipping Box | 425x335x250 mm (16.73x13.19x9.84 in) |

SERVICE KIT

RCK04NDS348

1. 2 hours test made with continuous pink noise signal within the range Fs-10Fs. Power calculated on rated nominal impedance. Loudspeaker in free air.
2. Power on Continuous Program is defined as 3 dB greater than the Nominal rating.
3. Applied RMS Voltage is set to 2.83 V for 8 ohms Nominal Impedance.
4. Thiele-Small parameters are measured after a high level 20 Hz sine wave preconditioning test.