

3046FSE-HD-LITE

HD/SD-SDI Bulk Frame Synchronizer



The 3046FSE-HD-LITE HD/SD-SDI Frame Synchronizers are designed to re-time SMPTE ST 292-1 (1080i/60, 1080i/59.94, 1080i/50, 1080p/24sF, 1080p/23.98sF, 720p/60, 720p/59.94, or 480p/59.94) or SMPTE ST 259 (625i/50, 525i/59.94) inputs to a local reference tri-level or composite sync signal. When necessary, frames are repeated or dropped to maintain synchronization.

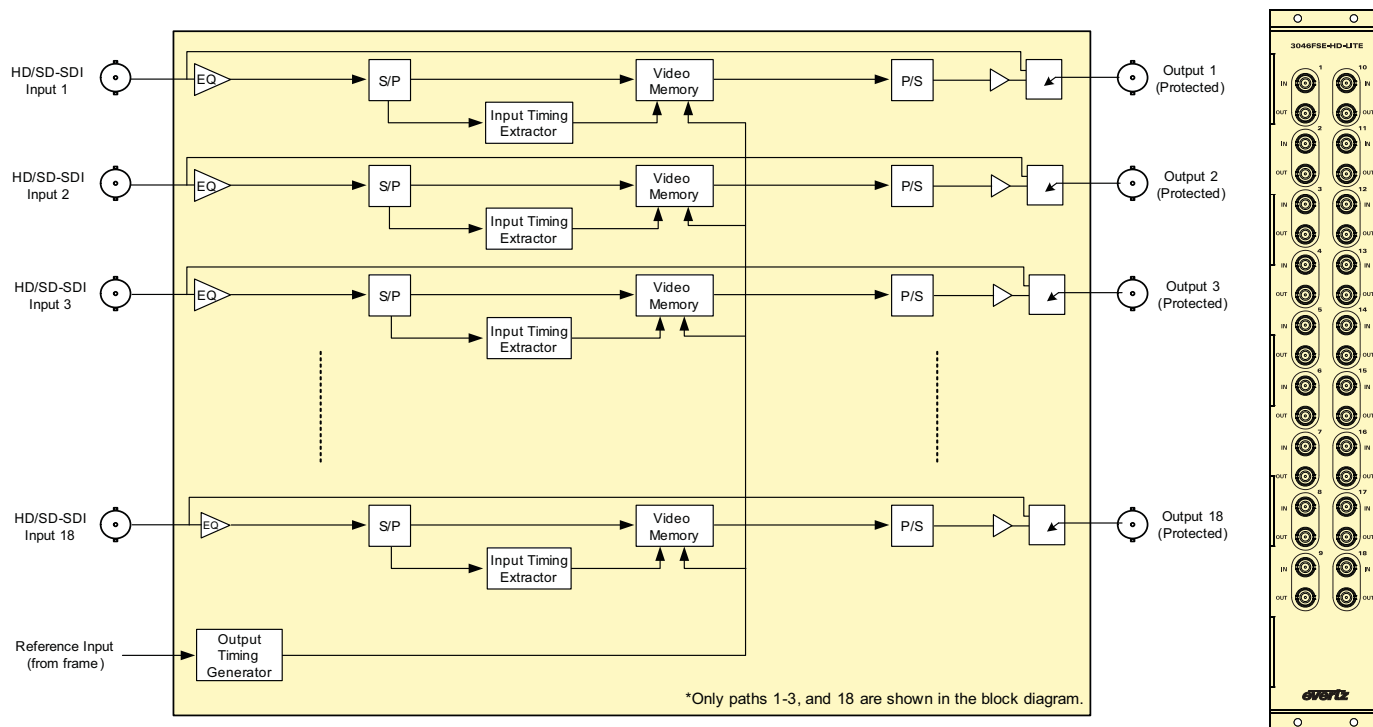
The 3046FSE-HD-LITE has 18 independent frame synchronizers, each with a bypass relay protected output. The high density configuration provides a cost and space efficient solution for synchronizing multiple signals together. This makes the 3046FSE-HD-LITE ideal for synchronizing sources before entering a router or before bulk encoding applications.

The 3046FSE-HD-LITE is VistaLINK® capable, offering remote monitoring, control and configuration capabilities via Simple Network Management Protocol (SNMP) giving the flexibility to manage operations, including signal monitoring and module configuration from SNMP capable control systems (Manager or NMS). A frame controller is required for this operation.

The 3046FSE-HD-LITE occupies two card slots and can be housed in the 6RU EMX6-FR and 3000FR frames which have a 15 slot capacity, or the 3RU EMX3-FR frame which has a 5 slot capacity.

►Features & Benefits

- Synchronizes HD-SDI or SD-SDI video signals
- 18 fully independent paths
- Program Video output bypass relay protected on power loss
- Programmable output phase with respect to reference input
- Card edge status LEDs
- VistaLINK® - capable offering remote control and configuration capabilities via SNMP



►Specifications

Serial Video Inputs:		Serial Video Outputs:		Electrical	
Standard	SMPTE ST 292-1 (1.5Gb/s), 1080i, 1035i, 720p SMPTE ST 259 (270Mb/s) 525i, 625i DIN 1.0/2.3	Number of Outputs	18 (1 output per input. Each output is bypass relay protected)	Voltage	+12V DC
Connector		Connectors	DIN 1.0/2.3	Power	65 Watts
Input Equalization	SD Automatic to 300m @ 270Mb/s with Belden 1694A or equivalent cable HD Automatic to 100m @ 1.5Gb/s with Belden 1694A or equivalent cable	Signal Level	800mV nominal	EMI/RFI	Complies with FCC Part 15, Class A EU EMC Directive
Return Loss	SD > 15dB up to 270MHz HD > 13dB up to 1.5GHz	DC Offset	0V ±0.5V	Physical (Number of Slots)	
		Rise and Fall Time	900ps nominal (SD) 200ps nominal (HD)	3000FR	2
		Overshoot	< 10% of amplitude	EMX3-FR	2
		Wide Band Jitter	< 0.2 UI	EMX6-FR	2
		Genlock Input (Uses Reference Input from Frame)			
		Type	NTSC or PAL Color Black 1V p-p, or Composite bi-level sync (525i/59.94 or 625i/50) 300mV, HD Tri-level Sync		

►►Ordering Information

3046FSE-HD-LITE HD/SD-SDI Bulk Frame Synchronizer

Enclosures:	
3000FR	3000 6RU Multiframe with 15 slots
EMX3-FR	EMX 3RU Multiframe with 5 slots
EMX6-FR	6RU Multiframe with 15 slots