

DATA SHEET



USB-C Docking Station with 4K HDMI®, Ethernet, USB and Power Delivery

Connect a USB-C enabled device for video, wired network connectivity, and data transfer while simultaneously charging a smartphone or tablet

OVERVIEW

The USB-C Docking Station with 4K HDMI, Ethernet, USB and Power Delivery is an ideal solution for audio/video, wired network connectivity and transferring data while in the office or on the road. This docking station connects to a USB-C or Thunderbolt™ 3 enabled laptop, tablet, or desktop computer and features an Ethernet port and a USB Type-C port with power delivery.

Connect to this docking station and display 4K HDMI audio/video content, while delivering power to ensure that a USB-C equipped laptop, tablet or smartphone is fully charged. Also transfer data with ease and speed, using the included USB-C data port or USB 3.0 ports that are backward compatible with USB 2.0. Overall, this docking station offers a light-weight, portable, and simple way to deliver video, transfer data, connect to a network and stay charged up.

Supporting resolutions up to 4K (3840x2160 at 30Hz), the HDMI connection allows this docking station to mirror or extend a high quality video image to the connected display. Deliver up to 60W of charging power to the connected device. Transfer data up to 10Gbps using the USB-C port or 5Gbps while connected to the USB 3.0 ports. The Ethernet port allows for reliable internet connectivity with file transfer speeds up to 1000Mbps.

FEATURES

- HDMI bandwidth up to 18Gbps
- HDMI supports resolutions up to 4K (3840 x 2160 at 30Hz)
- HDCP 1.4/2.2
- RJ45 Gigabit Ethernet port
- Two USB 3.0 ports
- Backwards compatible with USB 3.0 and USB 2.0
- Power delivery to charge a laptop, tablet, or smartphone
- Compatible with USB-C and Thunderbolt™ 3 ports
- Reversible, symmetrical USB-C connector

ITEM DESCRIPTION

28845 USB-C Docking Station with 4K HDMI®, Ethernet, USB and Power Delivery

DATA SHEET

SPECIFICATIONS:

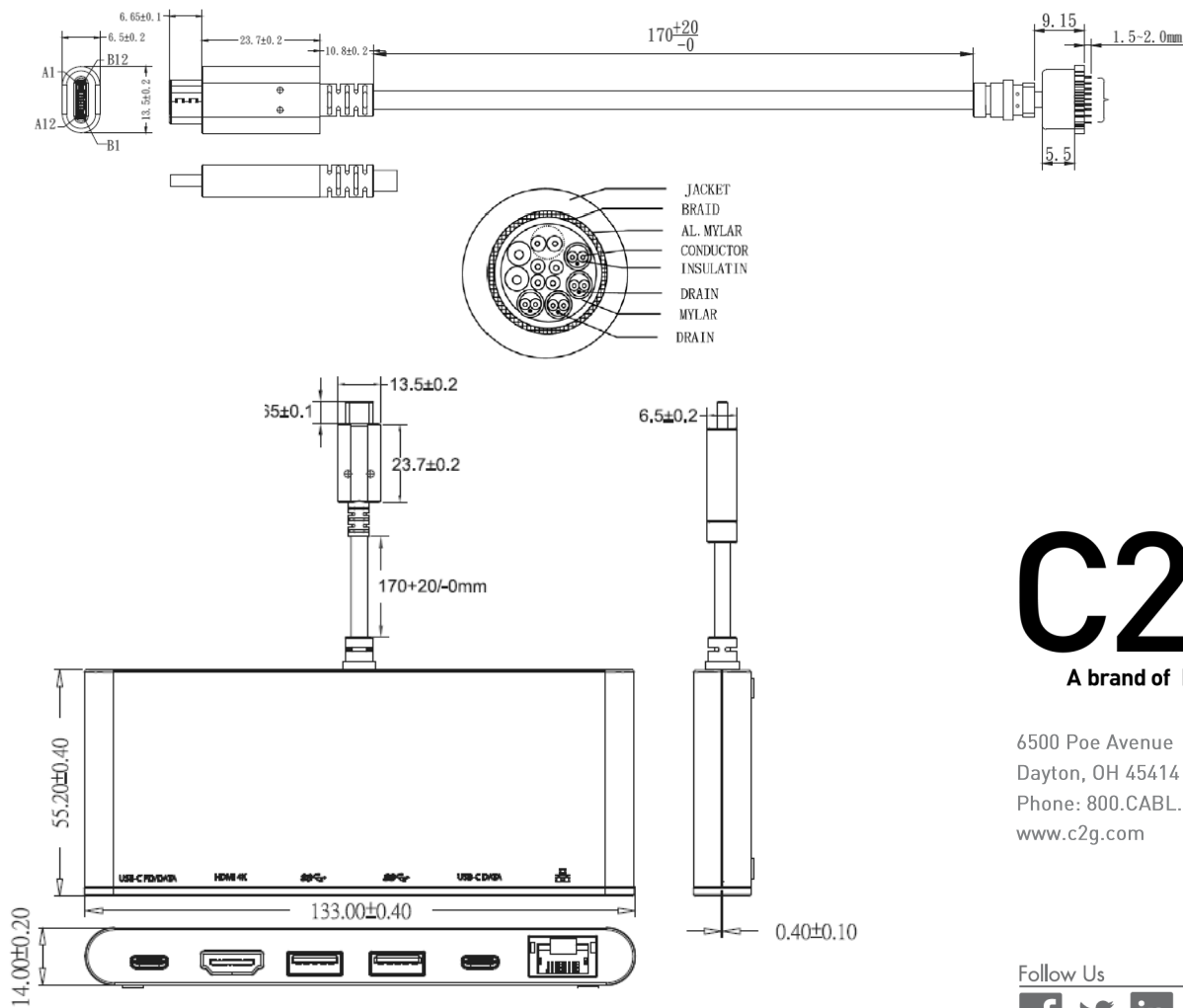
USB-C Docking Station with 4K HDMI®, Ethernet, USB and Power Delivery

ELECTRICAL SPECIFICATIONS:

- Maximum Resolution: HDMI - 4K (3840 x 2160 at 30Hz)
- Connections:
 - USB 3.1 Gen 1 Type-C Male x 1: Sync
 - USB 3.1 Gen 1 Type-A Female x 2: Support 5V/0.9A
 - USB 3.1 Gen 1 Type-C Female x 1: Data only, Supports 5V/0.9A
 - USB 3.1 Gen 1 Type-C Female x 1: Data & Charging 60W
 - HDMI Female x 1: Supports HDMI 2.0, HDCP 1.4/2.2
 - RJ45 Female x 1: Supports 10/100/1000M
- Power Delivery:
 - 60W: 20V@3A
 - 45W: 15@3A / 20V@2.25A / 12V@3.75A
 - 36W: 12V@3A
 - 27W: 9V@3A
 - 37.5W: 10V@3.75A

PHSICAL SPECIFICATIONS:

- Operating Temperature: 0[D]C to 35[D]C
- Operating Humidity: 10% to 90% non-condensing
- Storage Temperature: -20[D]C to 70[D]C
- Housing: Plastic
- Approvals: CE Marked and Conforms to 2011/65/EU ROHS2
- Dimensions: 133 x 55.2 x 14mm
- Cable Jacket : PVC, Black / Shield: AL-Mylar Wrap, Braid-16/9/0.08TC, 85% coverage
- Cable Dimensions: 17cm



C2G
A brand of **legrand**

6500 Poe Avenue
Dayton, OH 45414
Phone: 800.CABL.911
www.c2g.com

Follow Us

