

2430RX-J2K-IP

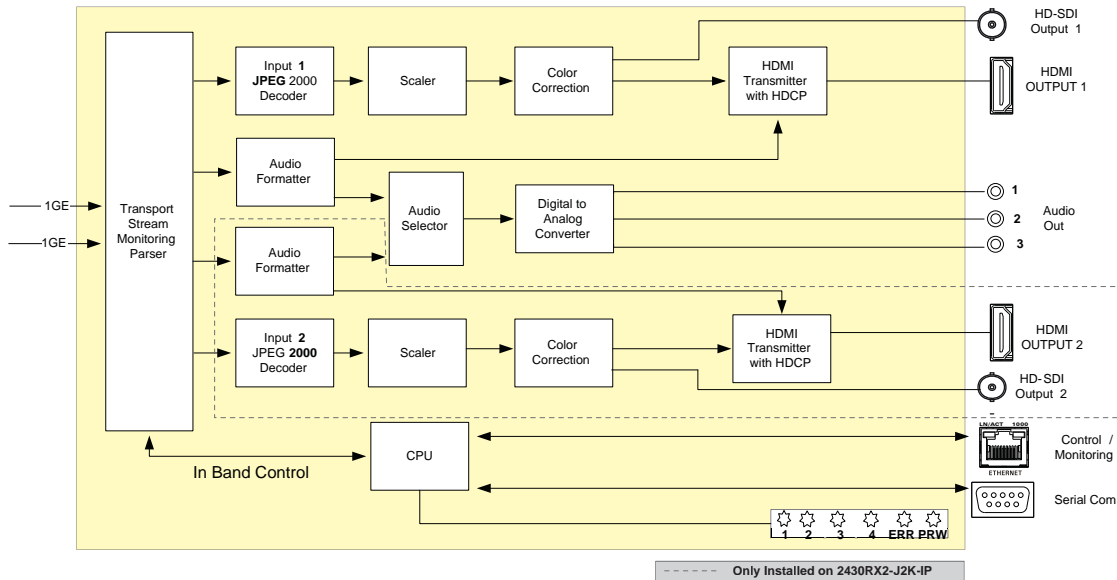
JPEG2000 to HDMI Converter

The 2430RX-J2K-IP is a versatile JPEG2000 to HDMI/DVI/DisplayPort processing converter. The 2430RX-J2K-IP is used in applications where delivery of J2K encoded video is to be displayed on a DVI/HDMI monitor.

This self contained module accepts up to two JPEG2000 over IP streaming inputs. It decodes, processes, color corrects and converts the output to a DVI/HDMI signal. With integrated auto scaling the 2430RX-J2K-IP device can drive resolutions up to WUXGA (1920x1200).

Features & Benefits

- Full 422 10bit pixel input resolution
- Full 24 bit RGB output pixel resolution
- Color correction
- Ideal for use with high resolution LCD, plasma and projection screens
- Auto rescaling
- Superior digital data transmission
- Compact form factor with optional VESA mount brackets
- Analog audio outputs supported
- In band control supported



Specifications

Input: Format: JPEG2000 Number of Inputs: 2 Connector: Female LC/UPC	Serial Video Output: Number of Outputs: 2 Standard: 525, 625, 720p 59.94/50 Hz, 1080p59.94/50 Hz Connector: BNC per IEC 60 169-8 Amendment 2	Power: 33W
Output: Number of outputs: 1 (2430RX-J2K-IP) 2 (2430RX2-J2K-IP) Connector type: HDMI Supported resolutions: 525, 624, 720p 59.94/5 Hz, 1080p 59.94/50 Hz, and VESA up to WUXGA (1920x1200)	Audio output: Number of outputs: 2 stereo pairs Connector type: RCA	Physical: Dimensions: 8.13"L x 9.28"W x 1.75" H
Electrical: Voltage: 12V DC, Auto ranging 100-240V AC 50/60 Hz adapter included	Compliance: Electrical Safety: Power supply UL listed Complies with CE Low voltage Directive Complies with FCC Part 15, Class A EU EMC directive	EMI/RFI:

Ordering Information

2430RX2-J2K-IP	Dual JPEG2000 to HDMI Converter
2430RX-J2K-IP	Single JPEG2000 to HDMI Converter
2430RX-J2K-IP-EFX	Single JPEG2000 to HDMI Converter with Crop/Zoom and Rotate

Ordering Options	
-VPGC	Color correction
SFPTR-RJ45-SGM-AV	SFP Copper Transceiver, 1Gbs, 100m
SFP1G-TR85	SFP Optical Transceiver, 1.25Gbs, 850nm, MMF, 550m
SFP1G-TR13	SFP Optical Transceiver, 1.25Gbs, 1310nm, SMF, 20km