

2408LT

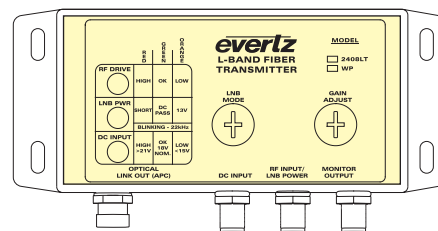
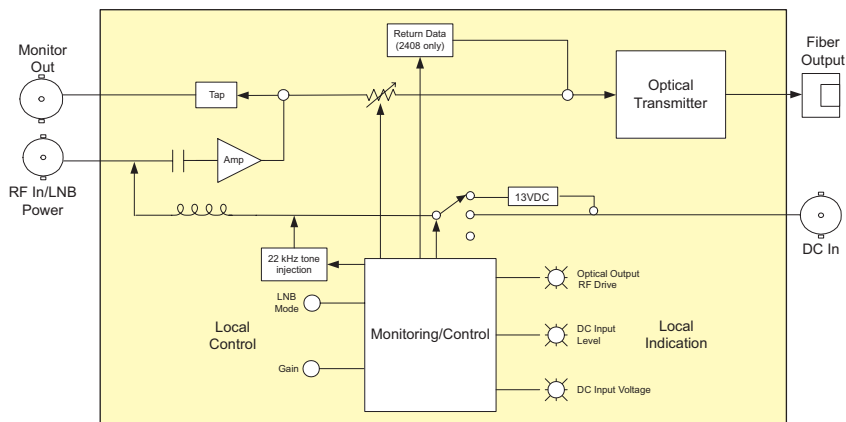
L-Band Outdoor Fiber Transmitter with VistaLINK® and SmartMON™

The 2408LT is an outdoor fiber optic transmitter for RF signals in the satellite L-Band or wider frequency range. It accepts a single RF input on coaxial cable and provides a single output for optical transmission. Packaged in a compact, standalone enclosure, the 2408LT is ideal for mounting on or near the satellite dish antenna structure. The -WP version features dust and water protection allowing outdoor mounting without a secondary enclosure. A full power RF monitor output provides a convenient means of obtaining peak satellite signal strength, or additional signal distribution.

Gain may be adjusted manually or managed automatically via AGC. With SmartMON™, incoming RF signal strength, LNB current, status of connected 2400PSU-8 power supply and other data are relayed over the fiber output for monitoring through SNMP/VistaLINK® (requires SmartMON™ capable companion fiber receiver). The 2408LT also provides a DC pass through mode for LNB power and comprehensive indicators that provide status information on the input DC power and RF drive level as well as LNB power status.

►Features & Benefits

- Directly mount to antenna structure or other outdoor locations
- -WP Weatherproof version - does not require secondary enclosure
- Wide frequency range for extended L-Band, over the air DTV and other signals
- Protocol independent design - transports all modulation formats
- DC pass through and 13V DC modes for LNB power
- LNB current limit & short circuit protection
- LNB current monitoring
- Minimizes coaxial cable length for superior CNR performance
- 22kHz tone on/off for LNB local oscillator control
- RF monitor output for signal peaking and signal distribution
- Manually adjustable or AGC gain modes
- Tri-color LED status indicators for Link RF drive strength, LNB voltage and DC input voltage level
- SmartMON™ capability provides remote status monitoring via SNMP without a separate data connection
- Fiber link provides electrical isolation between antenna and facility mitigating ground loop and lightning issues



►Specifications

RF Input: Number of Inputs: 1 Connector: F-Type (50Ω BNC Optional) Conductor Range: 23-18 AWG (0.26-0.82 mm ²) Input Impedance: 75Ω (50Ω Optional) Frequency Range: 1310nm FP laser 850MHz - 3000MHz CWDW or DFB laser 120MHz - 3000MHz Return Loss: 120-500MHz: > 11dB 500MHz - 3GHz: > 15dB Input Power Range: -10dBm to -50dBm Manual Gain Range: +2 to +30dB in 2dB steps AGC Hold Range: -8 to -38dBm +/-2dBm Input IP3: +10dBm IMD: < -55dBc at -15dB input and min. gain LNB Power: Voltage: DC Input-0.5V DC, 13.5V DC, off (selectable) Current: 500mA Protection: Short Circuit, current limited LO Control: 22kHz on/off (selectable)	Conductor Range: 23-18 AWG (0.26-0.82 mm ²) Output Impedance: 75Ω (50Ω Optional) Return Loss: > 15dB Frequency Range: Output Level: Within -2dB of input signal	input voltage required when powering an LNB) 2W max excluding LNB Power F-Type Conductor Range: 23-18 AWG (0.26-0.82 mm ²)
Optical Output: Number of Outputs: 1 Connector: Female FC/APC Operating Wavelength: Standard: 1310nm CWDW: 1270-1610nm Output Power: Standard 1310nm: +2dBm CWDW: +2dBm	RF System Performance 2408LT+7708LRA pair: Flatness: 950 - 2150MHz: ±1.5dB 120MHz - 3GHz: ±2.0dB +/- 0.25dB on 36MHz BW to 2.3GHz Gain variation over temperature: ±2dB (from -20°C to +70°C)	Physical: Dimensions With Flanges: 5.4"L x 2.4"W x 1.2"H (138mm L x 61mm W x 31mm H)
DC Input: Voltage: +18V DC nominal, +11V DC to +20V DC range (>LNB min)	RF Monitor Output: Number of Outputs: 1 Connector: F-Type (50Ω BNC Optional)	Compliance: Laser safety: Class 1 laser product Complies with 24 CFR 1040.10 and 1040.11 IEC 60825-1 Complies with FCC Part 15, Class A EU EMC directive CSA Listed to CSA C22.2 No. 60065-03, UL 60065-03 IEC 60065 - (2001-12) 7th Edition EMI/RFI: Safety: Environmental: Temperature: 1310nm: -20 to +70°C CWDW: -20 to +60°C Dust & Water Protection: IP65 (-WP version only)

►Ordering Information

2408LT13	L-Band Standalone Fiber Transmitter with SmartMON™, 1310nm FP laser
2408LT13-WP	L-Band Standalone/Weatherproof Fiber Transmitter with SmartMON™, 1310nm FP laser
2408LT13-B50	L-Band Standalone Fiber Transmitter with SmartMON™, 1310nm FP laser, 50Ω BNC Connectors
2408LT13-WP-B50	L-Band Standalone/Weatherproof Fiber Transmitter with SmartMON™, 1310nm FP laser, 50Ω BNC Connectors

For CWDW, please refer to the end of the fiber section for ordering information
2408LT27 to 61 L-Band Standalone Fiber Transmitter with SmartMON™, CWDW DFB laser

2408LT27 to 61-WP L-Band Standalone/Weatherproof Fiber Transmitter with

2408LT27-61-B50 SmartMON™, CWDW DFB laser
 L-Band Standalone Fiber Transmitter with SmartMON™, CWDW DFB laser, 50Ω BNC Connectors

2408LT27-61-WP-B50 L-Band Standalone/Weatherproof Fiber Transmitter with SmartMON™, CWDW DFB laser, 50Ω BNC Connectors

Ordering Options
+PS 18V DC external power supply brick 100-240V AC auto-ranging input, indoor mounting with F-Type connector

Note: For power supply see 2400PSU-8 catalog page
 For companion receiver see 7708LRA/7708LR-H catalog page
 For integrated solution with enclosure see 2400ODU catalog page