

2406LR

L-Band/Wideband Standalone Fiber Receiver

The 2406LR is a fiber optic receiver for signals in the satellite L-Band and other frequency ranges. It accepts a single fiber optic input on an FC/APC connector and provides a pair of equal power electrical outputs. Packaged in a small, standalone enclosure, the 2406LR is temperature-hardened and ideal for mounting on or near antenna structures, or in any application where modular/rack-mount products are not practical. The -WP version features dust and water protection for direct outdoor mounting without a secondary enclosure. When combined with the 2408LT a bi-directional link can be created, ideal for VSAT and similar applications.

Two gain modes are provided for flexible output level adjustment to suit the

►Features & Benefits

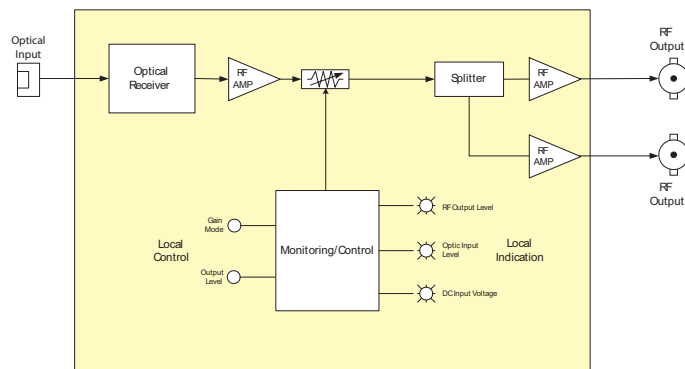
- Mounts directly to the antenna structure or other outdoor locations
- -WP option provides a weatherproof version of the product
- Wide bandwidth allows use with L-Band, over-the-air DTV and other frequency ranges
- Protocol independent design - passes all modulation formats
- Dual, full power outputs
- Tri-color LED status indicators for optical input, DC input and RF output levels
- Flexible powering options including power brick (+PS option), 2400PSU-8 or customer's own 11-20VDC source

requirements of the coaxial distribution system and the connected equipment. Manual gain mode allows a fixed gain level to be applied to the output signal. AGC mode allows the user to set a target output level, and the 2406LR's microprocessor will automatically apply the correct amount of gain to maintain that level. Comprehensive local LED indicators provide instant information relating to optical input, DC power input and RF output levels.

- Fiber link provides electrical isolation between antenna and facility, mitigating ground loop and lightning issues
- Fiber transport offers increased signal quality over coax at longer distances and is not prone to high-frequency rolloff

Applications

- Fiber to L-Band upconverter for uplinks
- VSAT and other bi-directional signals
- Portable antenna deployment
- Any RF fiber receive application requiring a standalone device



►Specifications

RF Outputs: Number of Outputs 2 Connector F-Type (50 Ohm BNC optional) Conductor Range 23-18 AWG (0.26-0.82 mm ²) I/O Impedance 75Ω (50Ω optional) Frequency Range 2406LR 120MHz - 3GHz 2406LR-H 120MHz - 2.3GHz Return Loss 120MHz to 2.3GHz > 15dB 2.3GHz to 3GHz > 12dB Output IP3 +28dBm IMD < -55dBc at -3dBm output and 25dB gain Output Signal Level Manual Gain 0 to -60dBm (depending on input signal level, gain setting and optical loss) AGC mode -10 to -40dBm (adjustable, maintainable within available gain range) Available Gain -5dB to +25dB in 1dB steps	Optical Input: Number of Inputs 1 Connector Female FC/APC Operating Wavelength 1270nm-1610nm Maximum Input Power 2406LR +3dBm 2406LR-H -7dBm Optical Sensitivity 2406LR -14dBm @ 35dB C/N on a 36MHz carrier 2406LR-H -20dBm @ 35dB C/N on a 36MHz carrier DC Input: Voltage +18VDC nominal, +11V DC to +20V DC range Connector F-Type Conductor Range 23-18 AWG (0.26-0.82 mm ²)	Physical: Dimensions 5.4"L x 2.4"W x 1.2"H (with flanges) (138mm L x 61mm W x 31mm H) Environmental: Temperature -20 to +70°C Dust and Water Protection IP65 compliant (-WP version only)
---	--	---

►Ordering Information

2406LR	L-Band/Wideband standalone fiber receiver
2406LR-B50	L-Band/Wideband standalone fiber receiver, 50Ω BNC connectors
2406LR-WP	L-Band/Wideband standalone/weatherproof fiber receiver
2406LR-B50-WP	L-Band/Wideband standalone/weatherproof fiber receiver, 50Ω BNC connectors
2406LR-H	L-Band/Wideband standalone fiber high-sensitivity receiver
2406LR-H-B50	L-Band/Wideband standalone fiber high-sensitivity receiver, 50Ω BNC connectors
2406LR-H-WP	L-Band/Wideband standalone/weatherproof fiber high-sensitivity receiver
2406LR-H-B50-WP	L-Band/Wideband standalone/weatherproof fiber high-sensitivity receiver, 50Ω BNC connectors

Notes:

- 75Ω F-Type connectors are standard
- For eight-output power supply, see 2400PSU-8
- For companion transmitters, see 2408LT and 7708LT
- For integrated solution with enclosure, see 2400ODU

Ordering Options:

- +PS** 18V DC external power supply brick, 100V - 240V AC auto-ranging input, indoor mounting with F-Type connector