

HALF BACK ACCESS COVER



COMPATIBLE WITH:
VERTICAL SLANT POCKET



PROUDLY MADE
IN THE U.S.A.

REVISIONS

REV

DESCRIPTION

DATE

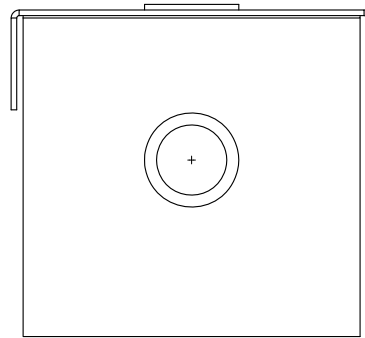


ACE BACKSTAGE CO., INC. - STAGE POCKET SYSTEMS

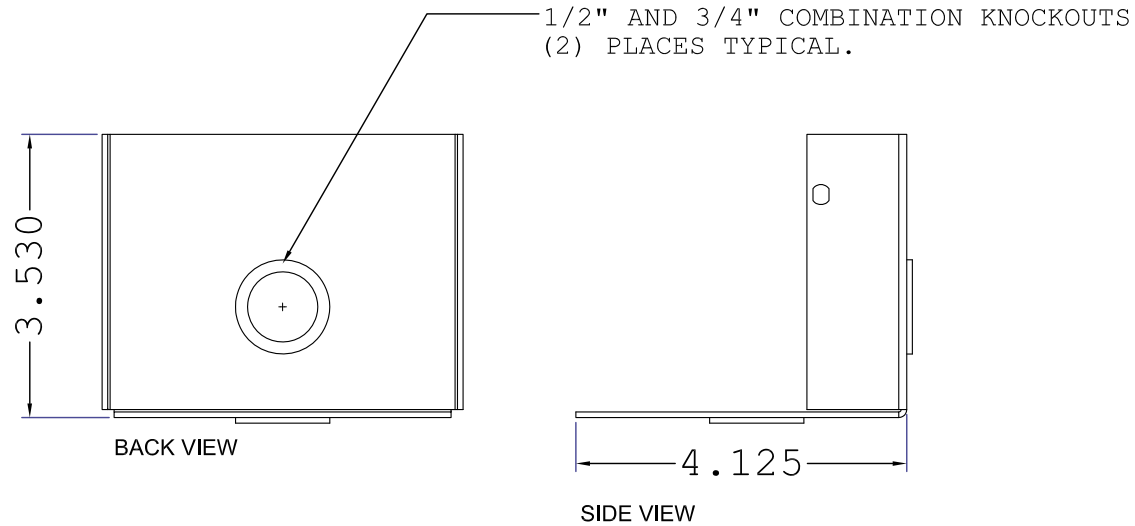
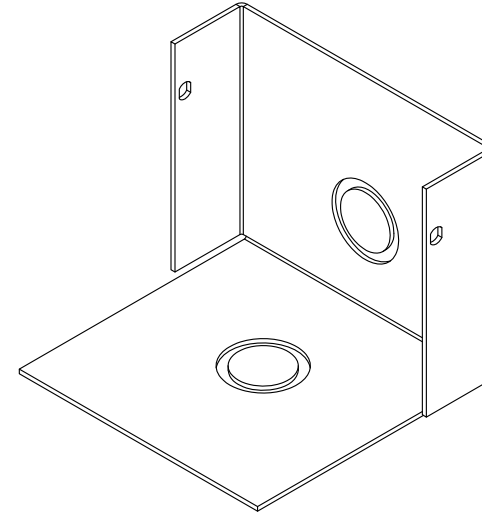
www.acebackstage.com

COMPATIBLE HALF SIZE POCKETS:

MODEL NUMBERS:	DESCRIPTION:
123SLBK	STANDARD LID/BLACK
123CLBK	CARPET LID/BLACK
123SLCV	STANDARD LID/ COPPER VEIN
123CLCV	CARPET LID/ COPPER VEIN
223SLBR	STANDARD LID/SOLID BRASS
223CLBR	CARPET LID/SOLID BRASS
323SLSS	STANDARD LID/SOLID STAINLESS STEEL
323CLSS	CARPET LID/ SOLID STAINLES STEEL



TOP VIEW



4.125

SIDE VIEW

APPROVALS

DATE

DRAWN

JM

04/11/12

CUSTOMER APPROVAL



ALL DIMENSIONS ARE FOR
REFERENCE ONLY. UNLESS
OTHERWISE SPECIFIED ALL
DIMENSIONS ARE IN INCHES.

FINISH

ELECTRO DEPOSITED CLEAR ZINC

MATERIAL

14 GAUGE CRS

ITEM:

23BAC

DESCRIPTION:

BACK ACCESS COVER FOR USE WHEN INSTALLING
HALF SIZE POCKETS.

REV

1

SHEET

1 OF 1