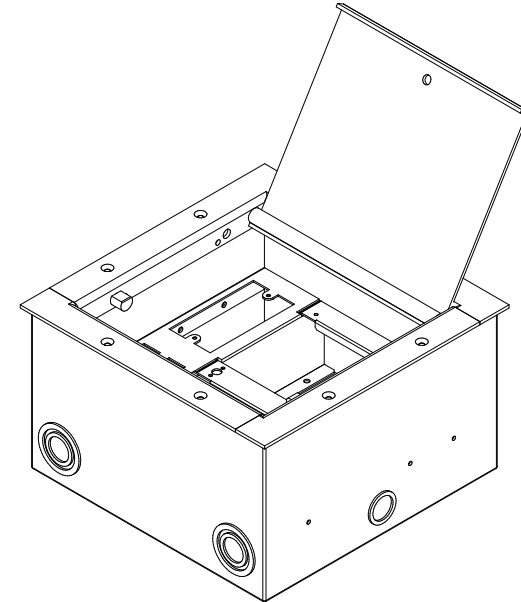
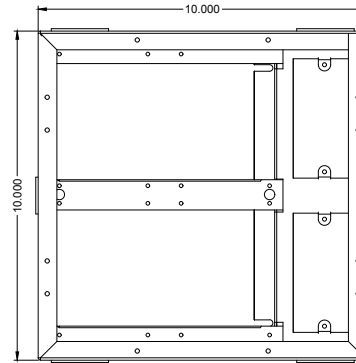
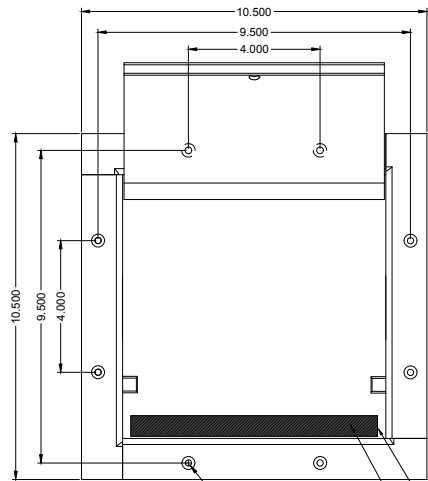


SUPER POCKET

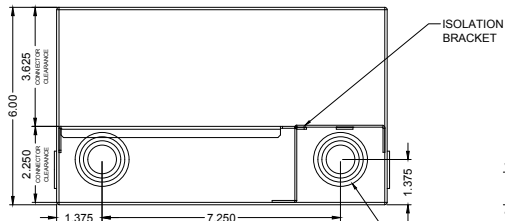
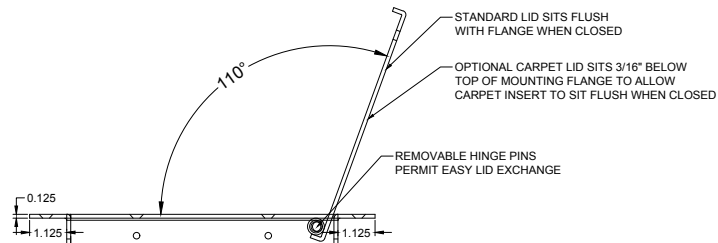
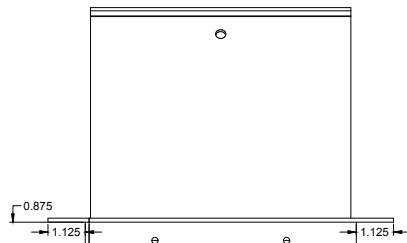
132 / 232 / 332



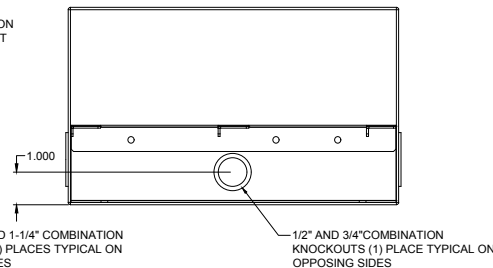
Ø0.250 TYP. OF 8
(COUNTERSUNK FOR #4 SCREWS)

3/8" OPEN SLOT ALLOWS
CABLES TO EXIT WHEN LID IS CLOSE

HINGED SLOT CLOSURE BLOCKS
THE OPENING WHEN NOT IN USE



1/2", 3/4", 1", AND 1-1/4" COMBINATION
KNOCKOUTS (2) PLACES TYPICAL ON
OPPOSING SIDES



REVISION: 11/2019

BEZEL/LID FINISH CHOICES:

- Textured Black Electrostatic Powder Coat
- Coppervein Electrostatic Powder Coat
- Solid Brushed Brass
- Solid Brushed Stainless Steel

CAPACITY:

Up to (25) Connectors
and (2) AC Duplex.
Compatible with **CONNECTRIX** Panels and Connectors.

DESCRIPTION:

The high capacity Super Stage Pocket System has horizontal panel brackets and a choice of Lid and Finish. The Pocket Body is made from 14ga CRS and mating Bezel/Lid Assembly from 11 ga CRS or half hard Brass or Stainless Steel.

REV
1
SHEET
1 OF 1

ALL DIMENSIONS ARE FOR REFERENCE
ONLY. ALL DIMENSIONS ARE IN INCHES