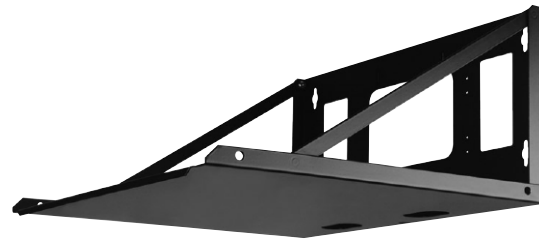




Description:

The FS wall-mount shelf ships flat in a compact carton for economical, convenient warehousing. To mount, simply rotate the rear panel 90-degrees so the front panel flanges insert into the rear panel cutouts. The shelf provides secure support for up to 100 lbs. [45 kg] of equipment when properly mounted to a wall. Keyhole mounting slots are on 16" stud centers and are slotted so the shelf can be inverted to meet application requirements.

The top features two oblong cutouts (2.5x1.25 in. or 64x32 mm) for cable drop-down. The wall side has a large central opening for wire access, while allowing the shelf to be placed over existing outlets and fixtures. Side openings are spaced for single gang stud-mounted conduit boxes. There are cable lacing points and pre-punched mounting holes between center and side openings for field versatility. The shelf also features a front retaining lip that is flanged for strength. Assembly is 16-gauge US steel with a durable black powder epoxy finish.



Steel shelf can be mounted to a wall in either direction.



Shelf ships efficiently in a folded position.



Features:

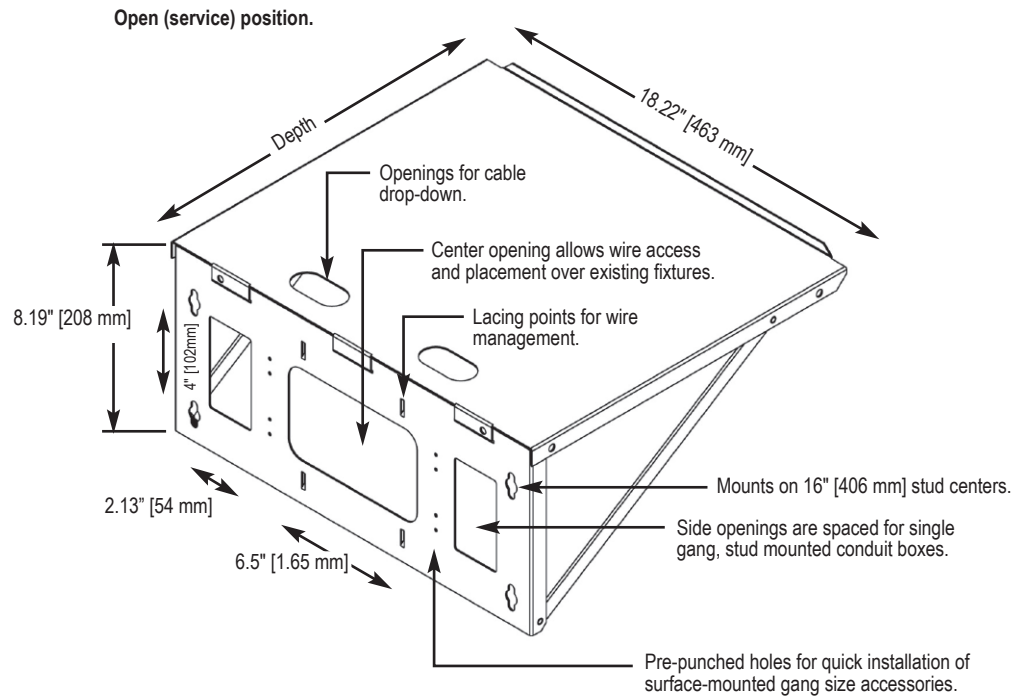
- Fully assembled wall shelf ships flat and folds out to serviceable position.
- Mounts on 16" [406 mm] stud centers. Center opening allows wire access and placement over existing outlets and fixtures.
- Side openings are spaced for single gang, stud-mounted conduit boxes.
- Pre-punched cable lacing and accessory mounting holes provide field versatility.
- Made in the USA with 100% US steel

A & E Specifications:

The wall-mount shelf shall be Lowell Model _____. The shelf shall require no field assembly and shall measure 8.19"H x 18.22"W x _____"D [208mm H x 463mm W x _____ mm D] in open (service) position and fold flat for shipping or storage. Wire management shall be provided on the top surface using two oblong cutouts measuring 2.5"L x 1.25"W [64mm x 32mm]. Top shall also include a retaining lip. Shelf shall support up to 100 lbs. [45 kg] when properly mounted (mounting hardware by others). Keyhole mounting slots on 16" [406 mm] centers are provided in the rear panel. Rear panel shall also have a large center opening for mounting the shelf over existing fixtures and side openings to accommodate single-gang stud-mounted conduit boxes. Rear panel shall be pre-punched for mounting accessories and lacing cable. Shelf shall be finished in black powder epoxy.

Model No.	Description	Width	Depth	Height	Load Capacity
FS18-14	Lowell Flat Ship Wall Shelf	18.22 in / 463 mm	14 in / 356 mm	8.19 in / 208 mm	100 lbs. / 45 kg
FS18-16	Lowell Flat Ship Wall Shelf	18.22 in / 463 mm	16 in / 406 mm	8.19 in / 208 mm	100 lbs. / 45 kg
FS18-20	Lowell Flat Ship Wall Shelf	18.22 in / 463 mm	20 in / 508 mm	8.19 in / 208 mm	100 lbs. / 45 kg

One rack unit (RU or U) = 1.75 inches or 44.45 mm. Some measurements may have been rounded.



Flat (shipping) position.

