

LHR-series

Lowell Host Rack



Description:

The LHR host rack is a two-part rack system that consists of an exterior enclosure and an interior rollout/rotating rack. It combines the advantages of a small footprint with superior accessibility to mounted equipment, cables and wiring. Lowell LHR host rack models are available in two depths (32" and 42" overall) and three racking heights (24U, 35U, 44U). A full library of Rackware® options and accessories make this an ideal racking system for a variety of venues. **Exterior:** The exterior rack is a fully welded steel assembly with Lowell's trademark beveled corners, vented sides, open front, open back, labor saving top access system, and provisions to mount power distribution products. The enclosure's top access system features a 10U EIA opening with two solid closure panels, front-to-rear knockouts for up to three pairs of wireless antenna and rear knockouts in a 6" weld-braced platform. The rear knockout platform provides fast and consistent field connections for installers using Lowell racks. It features four compound knockouts; center oval for wire pass through; and capability to support a 6" termination box, 4" conduit with locking ring (Greenlee field-punched hole), or other application solutions. The enclosure also features a green ground wire to the internal rack, provisions for anchoring and side mounted front-to-rear supports for attaching power accessories. Enclosure options include a locking rear access cover and a locking front door in solid or plexiglas. **Interior Rack:** The interior rack is a steel assembly with numbered post-style mounting rails tapped 10-32. It is connected to an inner platform style caster base equipped with stainless steel ball transfers on the top. The base pulls out smoothly from the enclosure and the ball transfers allow the rack to rotate freely for access to rear connections. The internal rack/caster base assembly supports up to 750 lbs and may be removed from the enclosure for shop wiring and testing efficiencies. The rack includes side/rear braces for strength and lacing holes for wire looming.

Features:

- Overall width: 24"
- Overall depth: 32.875" or 42.875"
- Panel space height: 24U, 35U, or 44U
- Welded steel exterior with vented sides, open front, open rear, 10U top opening with closure panels.
- Steel interior assembly with post-style 10-32 tapped mounting rails and side/rear braces mounted to a caster base with stainless steel ball transfers
- Interior assembly with caster base can be disengaged from main unit for shop wiring.
- Mar-resistant, black wrinkle powder epoxy finish.
- Screws (10-32) with washers.

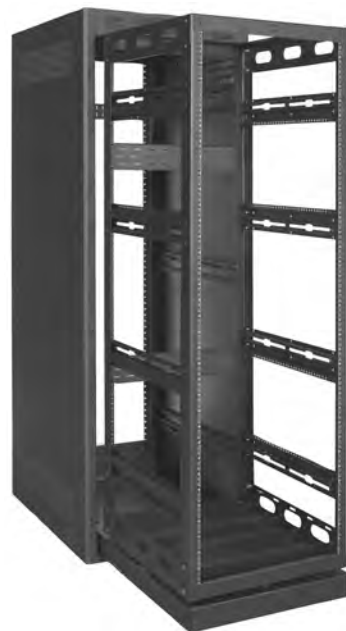
Options (order separately):

- Rear access cover with vents (top and bottom) opens using a locking latch at top.
- Solid steel or steel frame with Plexiglas insert, surface-mount front door is 2.5"D with lock and hinges for right- or left-hand swing.
- Steel top closure panels can be replaced with (optional) fan panels.

A&E Specifications:

Host Rack Enclosure system(s) shall be Lowell Model _____ with panel space of ____ (44U, 35U, 24U) and overall depth of ____ (32.875", 42.875"). The two-part rack shall be comprised of an exterior welded enclosure and a pull-out internal rack that is connected to an inner platform caster base with stainless steel ball transfers capable of supporting 750 lbs. The enclosure shall have vented sides, open front, open back, and 10U EIA top opening with top closure panels and top knockouts for conduit and wireless antennas. The enclosure shall include a ground wire to the internal rack and have provisions for anchoring. The internal rack shall be a steel assembly with post-style 10-32 tapped mounting rails, side and rear braces. It shall be mounted to the caster base and pull-out smoothly from the enclosure to provide free rotation to rear connections. The rack/caster base assembly shall be capable of disengaging from the enclosure for shop wiring and testing.

Optional rack accessories shall include a vented, rear access cover Model _____, a surface-mount front door Model _____, and an AC power strip Model _____.

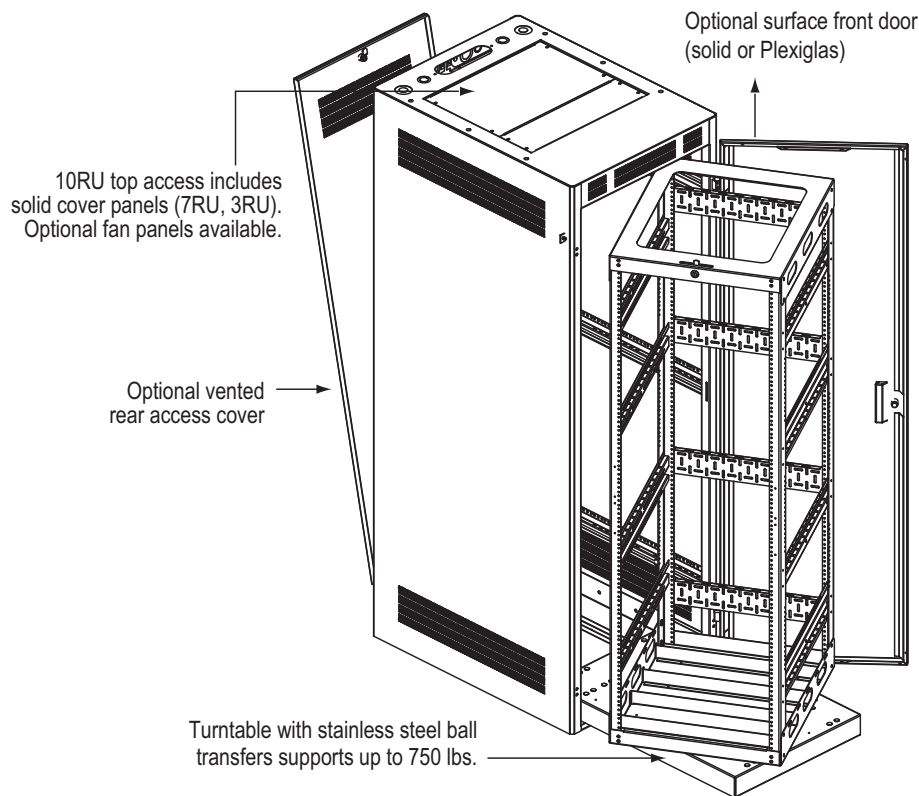


Optional rear access cover opens at top.

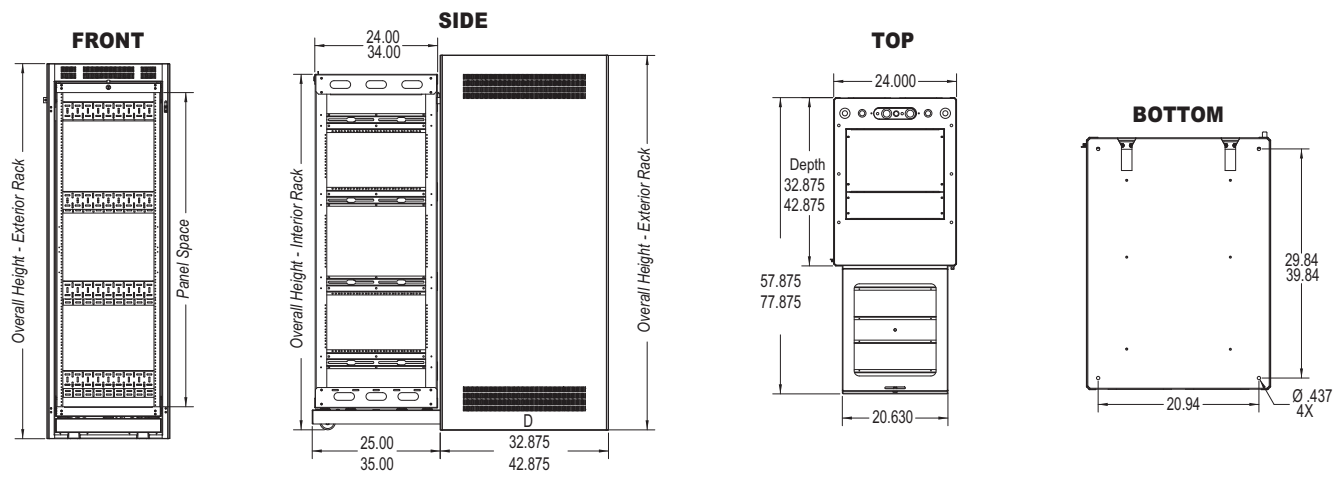
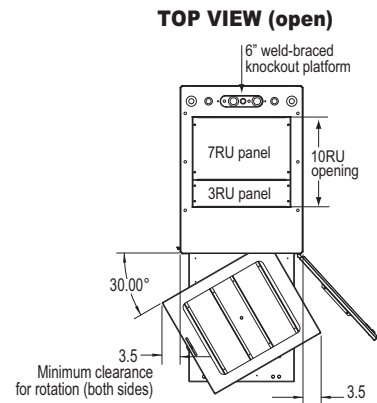


Optional solid or Plexiglas front door.

Pivots on stainless steel ball transfers for a smooth ride.



Note: when multiple dimensions are given, the first set is for 32" depth, second set is for 42" depth.



LHR-Series										Optional Equipment		
Model No.	Panel Space Interior Rack	Exterior Rack	Interior Rack	Usable	Overall Rack Height Exterior	Overall Rack Height Interior	Overall Rack Width Exterior	Overall Rack Width Interior	Maximum Rollout of Interior Rack	LHR Rear Access Cover	LHR Solid Front Door	LHR Plexiglas Front Door
LHR-2432	24RU	32.88	24.00	26.00	53.86	50.11	24.00	20.63	25.00	LHR-RAC24V	LHR-FD24	LHR-FD24P
LHR-3532	35RU	32.88	24.00	26.00	73.27	69.45	24.00	20.63	25.00	LHR-RAC35V	LHR-FD35	LHR-FD35P
LHR-4432	44RU	32.88	24.00	26.00	89.02	85.20	24.00	20.63	25.00	LHR-RAC44V	LHR-FD44	LHR-FD44P
LHR-3542	35RU	42.88	34.00	36.00	73.27	69.45	24.00	20.63	35.00	LHR-RAC35V	LHR-FD35	LHR-FD35P
LHR-4442	44RU	42.88	34.00	36.00	89.02	85.20	24.00	20.63	35.00	LHR-RAC44V	LHR-FD44	LHR-FD44P

Panel Space is measured in rack units. One rack unit (RU) equals 1.75-inches. All other measurements are stated in inches.