

SF670  
SF670P

## SMARTMOUNT<sup>®</sup> Universal Flat Wall Mount for 42" to 71" Displays

The sturdy SF670 wall plate holds displays weighing up to 250lb while featuring junction box access ports and horizontal display adjustment up to 12" for ideal display positioning. Its easy-glide brackets enable quick display-to-mount attachment with a simple hook-on design. Delivering an ultra-slim profile, this mount is the essential element for low-profile installations of extra-large displays.



Display size: 42"-71"



Max load: 250lb (113kg)

### FEATURES

- Fits displays with mounting hole patterns up to 908 x 503mm (35.75" W x 19.79" H)
- Low-profile design holds display only 1.73" (44mm) from the wall for a clean application
- Easy-glide bracket design ensures display is securely attached to wall plate
- Horizontal display adjustment up to 12" (304mm)
- Mounts to wood studs, concrete, cinder block or metal studs (metal stud accessory required)
- Includes fastener pack with all necessary mounting and display attachment hardware
- UL listed

#### VIEWING FLEXIBILITY

Horizontal display adjustment up to 12" (304mm) for centering screen on wall



#### EASY INSTALLATION

Simple hook-on design makes installation safe, quick and easy

#### OPEN ARCHITECTURE

Wall plate knockouts provide wall access improving cable management options



Low-profile design holds display only 1.73" (44mm) from the wall



\*With max load up to 200lb (90kg)

Patented. Utility Patent No. 7,722,002; 8,517,322.

CLICK: [peerless-av.com](http://peerless-av.com)

CALL: 800.865.2112

FAX: 800.359.6500

peerless-AV<sup>®</sup>

<b>SF670</b>	SmartMount® Universal Flat Wall Mount for 42" to 71" Displays - security models
<b>SF670P</b>	SmartMount® Universal Flat Wall Mount for 42" to 71" Displays - standard models

Product Specifications

	DIMENSIONS (W x H x D)	PRODUCT WEIGHT	LOAD CAPACITY	FINISH	AVAILABLE COLORS
<b>SF670(P)</b>	37.75" x 20.63" x 1.73" (959 x 524 x 44mm)	10.07lb (4.9kg)	250lb (113kg)	Matte	Black

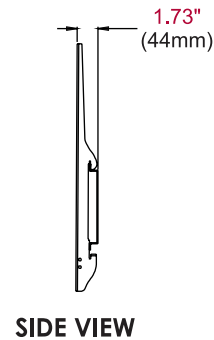
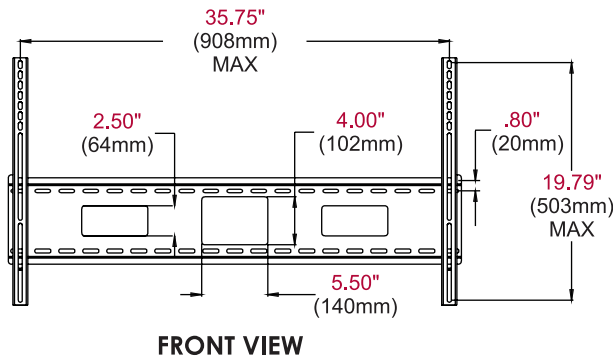
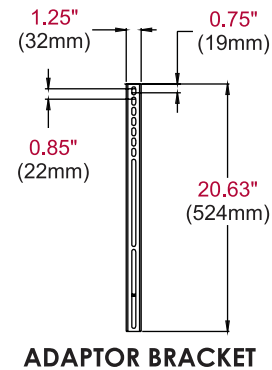
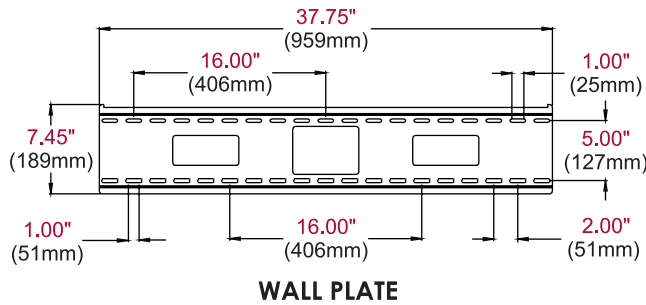
Package Specifications

	PACKAGE SIZE (W x H x D)	PACKAGE SHIP WEIGHT	PACKAGE UPC CODE	PACKAGE CONTENTS	UNITS IN PACKAGE
<b>SF670(P)</b>	46.8" x 8.6" x 3.9" (1189 x 218 x 99mm)	13.1lb (5.94kg)	SF670: 735029242192 SF670P: 735029242215	Wall mount, universal brackets and mounting and display attachment hardware	1

Accessories

- ACC615:** 6-pack Metal Stud Fastener Kit
- ACC309:** Video Conference Shelf

All dimensions = inch (mm)



ARCHITECTS SPECIFICATIONS

The Smartmount® Universal Flat Wall Mount shall be a Peerless-AV model SF670(P) and shall be located where indicated on the plans. Assembly and installation shall be done according to instructions provided by the manufacturer.

Peerless Industries, Inc. ■ 2300 White Oak Circle ■ Aurora, IL 60502 ■ (800) 865-2112 ■ (630) 375-5100 ■ Fax: (800) 359-6500 ■ peerless-av.com

Visit peerless-av.com to see the complete line of AV solutions from Peerless-AV, including flat panel mounts, projector mounts, carts/stands, furniture, cables, display cleaners and a full assortment of accessories.