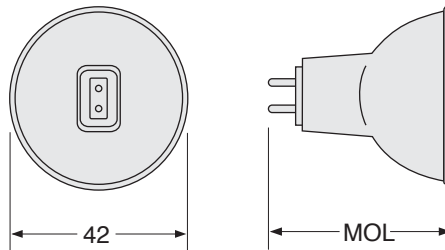


JCR

- Only for Use in Approved Enclosed Halogen Fixtures
- Focused Beam for Optical Applications
- 2-Pin Base - GX5.3
- 42mm Dichroic Coated Reflector
- Operate Base Down to Horizontal

Watts	Ushio Ordering Code	Ushio Lamp Description	Dimensions	Reflector Type	Filament Type	Working Distance mm	Center Screen Illuminance lx	Color Temp K	Avg Life h	Burn Position
			MOL mm							
2-Pin Base – GX5.3 MR-13 Reflector										
250	1000423	EXY, JCR82V-250W	44.5	Faceted	CC-8	152.4	610	3250	250	BD/Hor
300	1000414	EXR, JCR82V-300W	44.5	Faceted	CC-8	152.4	1100	3350	35	BD/Hor
300	1000421	EXW, JCR82V-300W	44.5	Faceted	CC-8	152.4	1200	3400	15	BD/Hor
300	1000535	FHS, JCR82V-300W	44.5	Faceted	CC-8	152.4	1000	3300	70	BD/Hor

Center Screen Illuminance - Approximate value for reference only



GX5.3

JCR

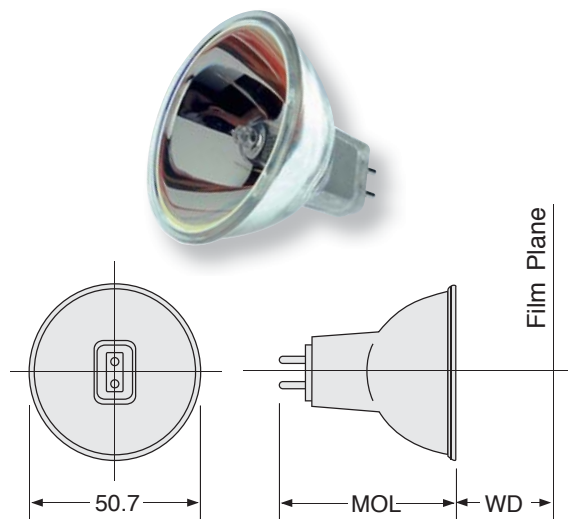
- Focused Beam for Optical Applications
- Only for Use in Approved Enclosed Halogen Fixtures
- 2-Pin Base - GX5.3
- 50mm Dichroic Coated Reflector



Watts	Ushio Ordering Code	Ushio Lamp Description	Dimensions MOL mm	Reflector Type	Filament Type	Working Distance mm	Luminous Intensity cd	Center Screen Illuminance lx	Color Temp K	Avg Life h	Burn Position
2-Pin Base – GX5.3 Base											
30	1000315	EKZ, JCR10.8V-30W	44.5	Specular	CC-6	38.1	—	400	3100	200	BD/Hor
30	1000538	FJX, JCR13.8V-30W*	44.5	Faceted	CC-6	108	—	—	3150	500	BD/Hor
35	1000344	EPN, JCR12V-35W	44.5	Specular	C-6	9.0	—	350	3300	50	BD/Hor
42	1000346	EPT, JCR10.8V-42W	44.5	Faceted	CC-6	38.1	—	250	2900	8000	BD/Hor
50	1000335	ENL, JCR12V-50W	44.5	Faceted	C-6	38.1	2000	—	3000	4000	Univ
50	1000197	DJT, JCR13.8V-50W	44.5	Faceted	CC-6	152.0	—	538	3150	1000	BD/Hor
50	1000350	EPZ, JCR13.8V-50W	44.5	Specular	CC-6	108	—	—	3150	1000	BD/Hor
50	1000546	FML, JCR13.8V-50W	44.5	Faceted	CC-6	214.3	—	230	3150	1000	Univ
50	1000339	ENZ, JCR30V-50W	44.5	Specular	CC-6	29.0	—	650	3400	25	BD/Hor
80	1000174	DDM, JCR19V-80W	44.5	Faceted	CC-6	152.4	—	680	3350	50	BD/Hor
80	1000303	EJY, JCR19V-80W	44.5	Specular	CC-6	38.1	—	—	3400	25	BD/Hor
80	1000307	EKG, JCR19V-80W	44.5	Specular	CC-6	44.5	—	700	3400	25	BD/Hor
80	1000336	ENW/ENC, JCR19V-80W	44.5	Specular	CC-6	44.5	—	600	3200	400	BD/Hor
80	1000177	DDS, JCR21V-80W	44.5	Faceted	CC-6	165.0	—	646	3125	500	BD/Hor
80	1000312	EKP, JCR30V-80W	44.5	Faceted	CC-6	44.5	—	750	3400	25	BD/Hor
80	1000317	ELB, JCR30V-80W	44.5	Specular	CC-6	29.0	—	900	3400	15	BD/Hor
85	1000180	DED, JCR13.8V-85W	44.5	Specular	C-8	165.0	—	1000	3150	1000	BD/Hor
90	1000347	EPV, JCR14.5V-90W	44.5	Stippled	CC-6	155.2	—	1345	3150	500	BD/Hor
90	1000349	EPX, JCR14.5V-90W	44.5	Stippled	CC-6	165.1	—	538	3150	500	BD/Hor
100	1000326	EMC, JCR12V-100W	44.5	Faceted	CC-6	26.5	—	—	3200	200	BD/Hor
100	1000420	EXV, JCR12V-100W	44.5	Faceted	C-6	—	4500	—	3350	50	BD/Hor
120	1000311	EKN, JCR17.7V-120W	44.5	Specular	CC-6	38.1	—	1000	3200	120	BD/Hor

* Special Order Item

Center Screen Illuminance - Approximate value for reference only



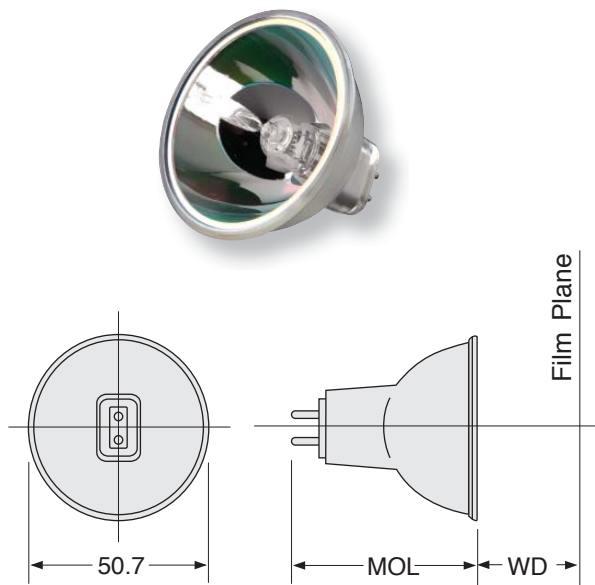
GX5.3

JCR

- Focused Beam for Optical Applications
- Only for Use in Approved Enclosed Halogen Fixtures
- 2-Pin Base - GX5.3
- 50mm Dichroic Coated Reflector

Watts	Ushio Ordering Code	Ushio Lamp Description	Dimensions	Reflector Type	Filament Type	Working Distance mm	Luminous Intensity cd	Center Screen Illuminance lx	Color Temp K	Avg Life h	Burn Position
			MOL mm								
2-Pin Base – GX5.3 Base											
150	1000173	DDL, JCR20V-150W	44.5	Faceted	CC-6	194.5	—	400	3150	500	BD/Hor
150	1001628	EKE/HO, JCR21V-150W	44.5	Specular	CC-6	43.0	—	—	3250	200	BD/Hor
150	1000297	EJA, JCR21V-150W	44.5	Specular	CC-6	28.0	—	—	3400	40	BD/Hor
150	1000301	EJM, JCR21V-150W	44.5	Specular	CC-6	38.1	—	—	3400	40	BD/Hor
150	1000302	EJV, JCR21V-150W	44.5	Specular	CC-6	44.5	—	1500	3400	40	BD/Hor
150	1000306	EKE, JCR21V-150W	44.5	Specular	CC-6	44.5	—	900	3250	200	BD/Hor
150	1003370	EKE/L, JCR21V-150W 10H/5	44.5	Specular	CC-6	—	—	—	—	1000	BD
150	1000319	ELD/EJN, JCR21V-150W	44.5	Stippled	CC-6	50.8	—	320	3400	40	BD/Hor
150	1002247	ELD/K, JCR21V-150W	44.5	Stippled	CC-6	165.0	—	—	3400	40	BD/Hor
200	1000300	EJL, JCR24V-200W	44.5	Specular	CC-6	31.7	—	1100	3400	50	BD/Hor
200	1000314	EKX, JCR24V-200W	44.5	Stippled	CC-6	139.7	—	—	3400	25	BD/Hor
225	1003034	EZF/K, JCR69V-225W	44.5	Faceted	CC-8	152.4	—	500	—	500	BD/Hor
250	1000318	ELC, JCR24V-250W	44.5	Specular	CC-6	31.7	—	1500	3400	50	BD/Hor
250	1003106	ELC-3, JCR24V-250W	44.5	Specular	CC-6	31.8	—	960	3400	300	BD/Hor
250	1003264	ELC-5, JCR24V-250W	44.5	Specular	CC-6	31.8	—	960	3400	500	BD/Hor
250	1001037	ELC/C, JER24V-250W	44.5	Specular	CC-6	31.8	—	800	3400	50	BD/Hor

Center Screen Illuminance - Approximate value for reference only



GX5.3

JCR

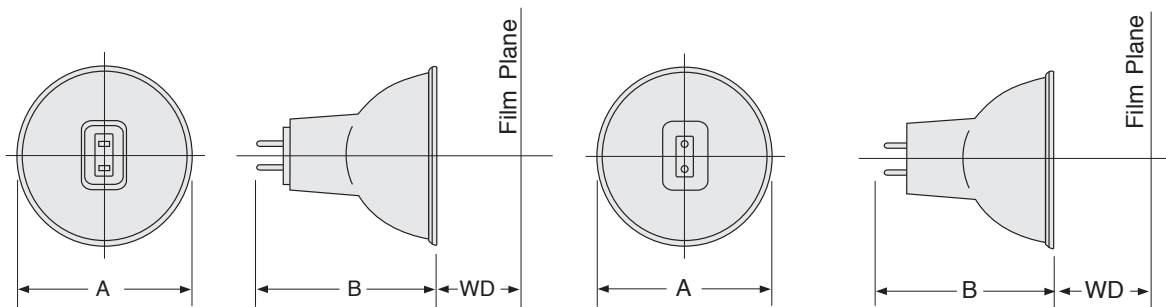
- Focused Beam for Optical Applications
- Only for Use in Approved Enclosed Halogen Fixtures
- Oval 2-Pin Base - GY5.3, 2-Pin Base - GZ6.35
- 50mm Dichroic Coated Reflector

● Operate Base Down to Horizontal



Watts	Ushio Ordering Code	Ushio Lamp Description	Dimensions mm		Reflector Type	Filament Type	Working Distance mm	Color Temp K	Avg Life h	Burn Position
			Dia (A)	MOL (B)						
Oval 2-Pin Base – GY5.3										
85	1000357	ESH, JCR82V-85W	50.67	44.5	Stippled	CC-8	152.0	2950	250	BD/Hor
85	1000358	ESJ, JER82V-85W	50.67	44.5	Specular	CC-8	32.0	3350	40	BD/Hor
150	1000356	ESD, JCR120V-150W	50.67	44.5	Stippled	CC-8	44.5	3350	12	BD/Hor
150	1000940	JCR120V-150W/B	50.67	44.5	Stippled	CC-8	—	3050	100	BD/Hor
200	1000441	EYA, JCR82V-200W	50.67	44.5	Faceted	CC-8	38.1	3300	50	BD/Hor
250	1000386	EVW, JCR82V-250W	50.67	44.5	Faceted	CC-8	298.5	3300	50	BD/Hor
250	1000333	ENH, JCR120V-250W	50.67	44.5	Faceted	CC-8	152.4	3250	175	BD/Hor
250	1000379	ETJ, JCR120V-250W	50.67	44.5	Specular	CC-8	36.5	3250	175	BD/Hor
250	1000422	EXX, JCR120V-250W*	50.67	44.5	Stippled	CC-8	298.5	3300	75	BD/Hor
300	1000321	ELH, JCR120V-300W	50.67	44.5	Stippled	CC-8	154.3	3350	35	BD/Hor
300	1000332	ENG, JCR120V-300W	50.67	44.5	Stippled	CC-8	152.4	3450	15	BD/Hor
300	1000458	EYK, JCR120V-300W	50.67	44.5	Specular	CC-8	31.7	3300	60	BD/Hor
360	1000542	FLE, JCR82V-360W U/D	50.67	44.5	Faceted	CC-8	209.6	3300	75	BD/Hor
360	1000337	ENX, JCR82V-360W	50.67	44.5	Faceted	CC-8	298.5	3300	75	BD/Hor
360	1000338	ENX-5, JCR86V-360W	50.67	44.5	Faceted	CC-8	298.5	3300	75	BD/Hor
410	1000636	FXL, JCR82V-410W	50.67	44.5	Faceted	CC-8	298.5	3300	75	BD/Hor
2-Pin Base – GZ6.35										
50	1000268	EFM, JCR8V-50W*	49.7	42.0	—	C-6	32.0	3350	50	BD/Hor
75	1000270	EFN, JCR12V-75W	50.0	42.0	Specular	C-6	32.0	3400	50	BD/Hor
100	1000271	EFP, JCR12V-100W	50.0	42.0	Specular	C-6	32.0	3400	50	BD/Hor
100	1003003	JCR12V-100W/H10	50.0	42.0	Specular	C-8	36.0	3100	1000	BD/Hor
150	1000272	EFR, JCR15V-150W	50.0	42.0	Specular	C-8	32.0	3400	50	BD/Hor

* Special Order Item



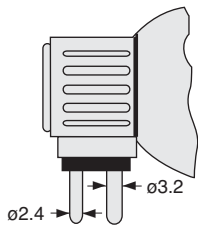
GY5.3

GZ6.35

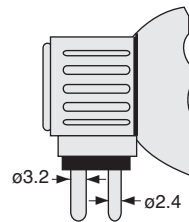
JCR

- Only for Use in Approved Enclosed Halogen Fixtures
- Operate in Horizontal Position
- 2-Pin Vented Base - G7.9
- 2-Pin Vented Base - GX7.9
- 45mm & 57mm Dichroic Coated Reflector

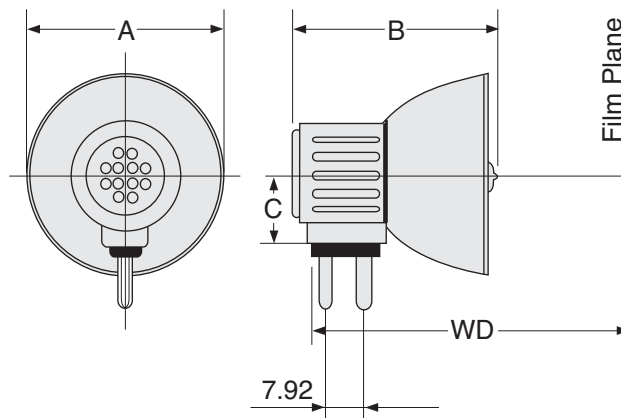
Watts	Ushio Ordering Code	Ushio Lamp Description	Dimensions mm			Reflector Type	Filament Type	Working Distance mm	Color Temp K	Avg Life h	Burn Position
			Dia (A)	MOL (B)	Ref. (C)						
MR-14 & MR-18, 2-Pin Vented Base – G7.9 Line Voltage											
150	1000206	DNE, JCR120V-150W	57.2	49.9	15.9	Specular	CC-8	69.1	3350	12	Horiz
250	1000057	BHB, JCR120V-250W	44.5	47.5	15.9	Specular	CC-8	65.8	3400	50	Horiz
MR-18, 2-Pin Vented Base – GX7.9 Low Voltage											
150	1000207	DNF, JCR21V-150W	57.2	45.1	15.9	Specular	CC-6	69.1	3400	25	Horiz
150	1000325	ELZ, JCR21V-150W	57.2	45.1	15.9	Specular	CC-6	69.1	3350	60	Horiz



G7.9



GX7.9

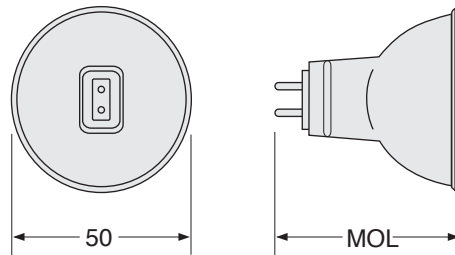


JR 12V - EUROSTAR™ SERIES

- Only for Use in Approved Halogen Fixtures
- Titanium Oxide Coated Reflector
- Axial Filament
- Low Voltage - 12 Volts
- Consistent Color
- Integrated UV Protection
- Precisely Focused Light Cone
- Cool Beam Effect
- Available with Front Glass Cover (FG)



Watts	Ushio Ordering Code	Ushio Lamp Description	Dimension	Filament Type	Beam		Color Temp K	Avg Life h	Burn Position
			MOL mm		Angle	Max CP cd			
EUROSTAR™ 2-Pin Base – GU5.3									
10	1001107	JR12V-10W/NFL21	45.2	C-8	21°	600	2800	1500	Univ
10	1001108	JR12V-10W/NFL21/FG	45.2	C-8	21°	600	2800	1500	Univ
10	1003154	JR12V-10W/FL32	45.2	C-8	32°	400	2800	1500	Univ
20	1000366	ESX, JR12V-20W/SP12	45.2	C-8	12°	3500	2950	5000	Univ
20	1000370	ESX/FG, JR12V-20W/SP12/FG	45.2	C-8	12°	3500	2950	5000	Univ
20	1000028	BBF, JR12V-20W/NFL24	45.2	C-8	24°	1200	2950	5000	Univ
20	1000037	BBF/FG, JR12V-20W/NFL24/FG	45.2	C-8	24°	1200	2950	5000	Univ
20	1000000	BAB, JR12V-20W/FL36	45.2	C-8	36°	600	2950	5000	Univ
20	1000014	BAB/FG, JR12V-20W/FL36/FG	45.2	C-8	36°	600	2950	5000	Univ
20	1000001	BAB/60, JR12V-20W/WFL60	45.2	C-8	60°	270	2950	5000	Univ
20	1000004	BAB/60/FG, JR12V-20W/WFL60/FG	45.2	C-8	60°	270	2950	5000	Univ
35	1000548	FMT/FRB, JR12V-35W/SP12	45.2	C-8	12°	6000	2950	5000	Univ
35	1000551	FMT/FG, JR12V-35W/SP12/FG	45.2	C-8	12°	6000	2950	5000	Univ
35	1000552	FMV/FRA, JR12V-35W/NFL24	45.2	C-8	24°	2300	2950	5000	Univ
35	1000559	FMV/FG, JR12V-35W/NFL24/FG	45.2	C-8	24°	2300	2950	5000	Univ
35	1000564	FMW, JR12V-35W/FL36	45.2	C-8	36°	1300	2950	5000	Univ
35	1000573	FMW/FG, JR12V-35W/FL36/FG	45.2	C-8	36°	1300	2950	5000	Univ
35	1000565	FMW/60, JR12V-35W/WFL60	45.2	C-8	60°	510	2950	5000	Univ
35	1000566	FMW/60/FG, JR12V-35W/WFL60/FG	45.2	C-8	60°	510	2950	5000	Univ
50	1000416	EXT, JR12V-50W/SP12	45.2	C-8	12°	11000	3000	5000	Univ
50	1000419	EXT/FG, JR12V-50W/SP12/FG	45.2	C-8	12°	11000	3000	5000	Univ
50	1000424	EXZ, JR12V-50W/NFL24	45.2	C-8	24°	3600	3000	5000	Univ
50	1000430	EXZ/FG, JR12V-50W/NFL24/FG	45.2	C-8	24°	3600	3000	5000	Univ
50	1000398	EXN, JR12V-50W/FL36	45.2	C-8	36°	2000	3000	5000	Univ
50	1000405	EXN/FG, JR12V-50W/FL36/FG	45.2	C-8	36°	2000	3000	5000	Univ
50	1000589	FNV, JR12V-50W/WFL60	45.2	C-8	60°	850	3000	5000	Univ
50	1000592	FNV/FG, JR12V-50W/WFL60/FG	45.2	C-8	60°	850	3000	5000	Univ



GU5.3

JR 12V & 24V - EUROSTAR™ SERIES

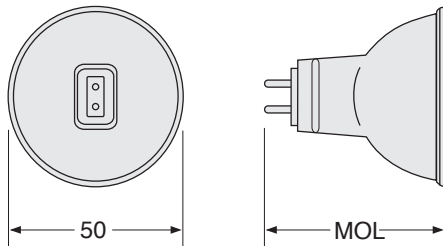
- Only for Use in Approved Halogen Fixtures
- Available with Front Glass Cover (/FG)
- 50mm Diameter Dichroic Coated Reflector
- Consistent Color
- 2-Pin Base - GU5.3, GX5.3
- 12 & 24 Volts



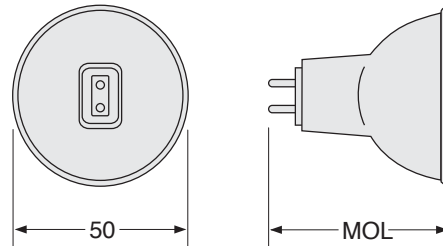
Watts	Ushio Ordering Code	Ushio Lamp Description	Dimension	Filament Type	Beam		Color Temp K	Avg Life h	Burn Position
			MOL mm		Angle	Max CP cd			
EUROSTAR™ 2-Pin Base – GU5.3									
75	1000451	EYF, JR12V-75W/SP12	45.2	C-8	12°	13000	3000	5000	Univ
75	1000452	EYF/FG, JR12V-75W/SP12/FG	45.2	C-8	12°	13000	3000	5000	Univ
75	1000454	EYJ/EZZ, JR12V-75W/NFL24	45.2	C-8	24°	4800	3050	5000	Univ
75	1000455	EYJ/EZZ/FG, JR12V-75W/NFL24/FG	45.2	C-8	24°	4800	3000	5000	Univ
75	1000444	EYC, JR12V-75W/FL36	45.2	C-8	36°	2700	3000	5000	Univ
75	1000447	EYC/FG, JR12V-75W/FL36/FG	45.2	C-8	36°	2700	3000	5000	Univ
75	1000445	EYC/60, JR12V-75W/WFL60	45.2	C-8	60°	1220	3000	5000	Univ
75	1000446	EYC/60/FG, JR12V-75W/WFL60/FG	45.2	C-8	60°	1220	3000	5000	Univ
EUROSTAR™ 24V, 2-Pin Base – GU5.3									
20	1001112	JR24V-20W/SP12**	45.2	C-6	12°	3500	2925	2500	Univ
20	1001114	JR24V-20W/FL36*	45.2	C-6	36°	600	2925	2500	Univ
35	1003110	JR24V-35W/SP12**	45.2	C-6	12°	4600	2900	3500	Univ
35	1003111	JR24V-35W/NFL24**	45.2	C-6	24°	1600	2900	3500	Univ
35	1003112	JR24V-35W/FL36*	45.2	C-6	36°	900	2900	3500	Univ
50	1003113	JR24V-50W/SP12*	45.2	C-6	12°	7000	2950	4000	Univ
50	1003114	JR24V-50W/NFL24*	45.2	C-6	24°	2900	2950	4000	Univ
50	1003115	JR24V-50W/FL36*	45.2	C-6	36°	1600	2950	4000	Univ
75	1003281	JR24V-75W/FL36/FG	45.2	C-6	36°	2500	2900	3000	Univ
EUROSTAR™ 2-Pin Base – GX5.3									
42	1000461	EYR, JR12V-42W/SP12	46.0	CC-6	12°	9000	3000	4000	Univ
42	1000462	EYS, JR12V-42W/NFL23	46.0	CC-6	23°	2800	3000	4000	Univ
42	1000460	EYP, JR12V-42W/FL38	46.0	CC-6	38°	1400	3000	4000	Univ
65	1000595	FPA, JR12V-65W/SP13	46.0	CC-6	13°	11500	3050	4000	Univ
65	1000596	FPB, JR12V-65W/FL38	46.0	CC-6	38°	2000	3050	4000	Univ

* Front glass versions available

* Special Order Item



GU5.3



GX5.3

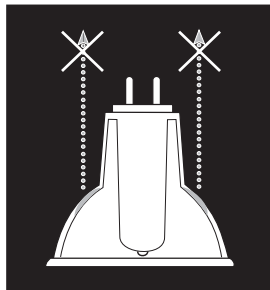
EUROSTAR™ REFLEKTO™ SERIES

- Only for Use in Approved Halogen Fixtures
- Axial Filament
- Universal Burn Position
- Aluminized Multimirror Reflector
- Consistent Color
- Available with Front Glass Cover (/FG)
- Low Voltage - 12 Volts
- Integrated UV Protection
- Less heat to back of the lamp
- Precisely Focused Light Cone



Watts	Ushio Ordering Code	Ushio Lamp Description	Dimension	Color	Beam			Avg Life h
			MOL mm	Temp K	Angle	Spread	Max CP cd	
EUROSTAR™ REFLEKTO™ Multimirror Reflector 2-Pin Base – GU5.3								
10	1002143	JR12V-10W/NFL24/A, EUROSTAR-REFLEKTO	45.2	2800	24°	Narrow Flood	400	1200
20	1000368	ESX/C/A, EUROSTAR-REFLEKTO	45.2	2950	12°	Spot	3500	3500
20	1000369	ESX/C/A/FG, EUROSTAR-REFLEKTO	45.2	2950	12°	Spot	3500	3500
20	1000033	BBF/C/A/FG, EUROSTAR-REFLEKTO	45.2	2950	24°	Narrow Flood	1200	3500
20	1000009	BAB/C/A, EUROSTAR-REFLEKTO	45.2	2950	36°	Flood	600	3500
20	1000010	BAB/C/A/FG, EUROSTAR-REFLEKTO	45.2	2950	36°	Flood	600	3500
35	1000549	FMT/C/A, EUROSTAR-REFLEKTO	45.2	2950	12°	Spot	6000	3500
35	1000550	FMT/C/A/FG, EUROSTAR-REFLEKTO	45.2	2950	12°	Spot	6000	3500
35	1000556	FMV/C/A, EUROSTAR-REFLEKTO	45.2	2950	24°	Narrow Flood	2300	3500
35	1000557	FMV/C/A/FG, EUROSTAR-REFLEKTO	45.2	2950	24°	Narrow Flood	2300	3500
35	1000570	FMW/C/A, EUROSTAR-REFLEKTO	45.2	2950	36°	Flood	1300	3500
35	1000571	FMW/C/A/FG, EUROSTAR-REFLEKTO	45.2	2950	36°	Flood	1300	3500
35	1001682	FMW/60/C/A, EUROSTAR-REFLEKTO	45.2	2950	60°	Wide Flood	510	3500
35	1001683	FMW/60/C/A/FG, EUROSTAR-REFLEKTO	45.2	2950	60°	Wide Flood	510	3500
50	1000417	EXT/C/A, EUROSTAR-REFLEKTO	45.2	3000	12°	Spot	11000	3500
50	1000418	EXT/C/A/FG, EUROSTAR-REFLEKTO	45.2	3000	12°	Spot	11000	3500
50	1000427	EXZ/C/A, EUROSTAR-REFLEKTO	45.2	3000	24°	Narrow Flood	3600	3500
50	1000428	EXZ/C/A/FG, EUROSTAR-REFLEKTO	45.2	3000	24°	Narrow Flood	3600	3500
50	1000402	EXN/C/A, EUROSTAR-REFLEKTO	45.2	3000	36°	Flood	2000	3500
50	1000403	EXN/C/A/FG, EUROSTAR-REFLEKTO	45.2	3000	36°	Flood	2000	3500
50	1000590	FNV/C/A, EUROSTAR-REFLEKTO	45.2	3000	60°	Wide Flood	850	3500
50	1000591	FNV/C/A/FG, EUROSTAR-REFLEKTO	45.2	3000	60°	Wide Flood	850	3500

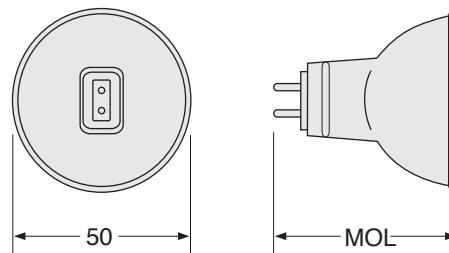
Refleкто™ lamps are made with an aluminum dichroic deposition process for an 80% reduction in heat emission through the back of the lamp.



With no light diffusion from back-spill, all visible light is projected through the front of the lamp. Excellent for high light output requirements.



60° Beam Spread



GU5.3

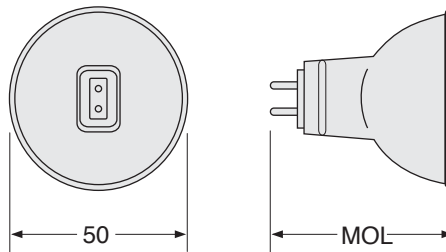
EUROSTAR™ IR SERIES

- IR Technology Provides Up to 30% Energy-Savings
- Long Life 6,000 Hours Average Life
- 50mm Diameter Multi-layer Titanium Oxide Coating
- UV-Cut Halogen Capsule
- Universal Burn Position

Watts	Ushio Ordering Code	Ushio Lamp Description	Dimension	Color	Beam		Avg Life h	
			MOL mm	Temp K	Angle	Spread		Max CP cd
EUROSTAR™ IR 2-Pin Base – GU5.3								
37	1003706	JR12V-37W/SP/FG/IR	50.5	3000	9°	Spot	13000	6,000
37	1003705	JR12V-37W/NFL/FG/IR	50.5	3000	25°	Narrow Flood	4400	6,000
37	1003704	JR12V-37W/FL/FG/IR	50.5	3000	35°	Flood	2200	6,000
37	1003707	JR12V-37W/WFL/FG/IR	50.5	3000	60°	Wide Flood	1100	6,000
50	1003710	JR12V-50W/SP/FG/IR	50.5	3000	9°	Spot	15500	6,000
50	1003709	JR12V-50W/NFL/FG/IR	50.5	3000	25°	Narrow Flood	5700	6,000
50	1003708	JR12V-50W/FL/FG/IR	50.5	3000	35°	Flood	2800	6,000
50	1003711	JR12V-50W/WFL/FG/IR	50.5	3000	60°	Wide Flood	1400	6,000



The exceptional performance of the Eurostar™ IR lamps is a direct result of the unique capsule design and the thin film coatings that allow visible light to pass through the glass envelope while reflecting the infrared energy back to the filament. Because of this, the capsule maintains an optimum operating temperature and reduces the energy used by the lamp.



GU5.3

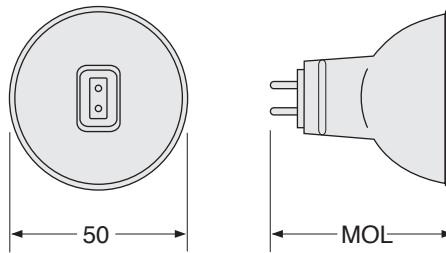
EUROSAVER™ SERIES

- Up to 30% Energy-Savings
- Only for Use in Approved Halogen Fixtures
- 50mm Diameter Multi-layer Titanium Oxide Coating
- UV-Cut Halogen Capsule
- 12 Volts
- 2-Pin Base - GU5.3
- Universal Burn Position
- Integrated Front Glass Cover (/FG)

Watts	Ushio Ordering Code	Ushio Lamp Description	Dimension	Color	Beam		Avg Life h	
			MOL mm	Temp K	Angle	Spread		Max CP cd
EUROSAVER™ 2-Pin Base – GU5.3								
35	1003673	FMT/FG/EUROSAVER	45.20	3000	9°	Spot	11000	4000
35	1003674	FMV/FG/EUROSAVER	45.20	3000	20°	Narrow Flood	3600	4000
35	1003676	FMW/FG/EUROSAVER	45.20	3000	32°	Flood	2000	4000
35	1003675	FMW/50/FG/EUROSAVER	45.20	3000	50°	Wide Flood	850	4000
50	1003690	EXT/FG/EUROSAVER	45.20	3000	9°	Spot	13000	4000
50	1003691	EXZ/FG/EUROSAVER	45.20	3000	20°	Narrow Flood	4800	4000
50	1003689	EXN/FG/EUROSAVER	45.20	3000	32°	Flood	2700	4000
50	1003692	FNV/FG/EUROSAVER	45.20	3000	50°	Wide Flood	1220	4000



Eurosaver™ energy-saving halogen MR-16 lamps allow users the flexibility of choosing an energy-saving option or an increased brightness alternative.



GU5.3

SPECIALTY LAMPS

- Only for Use in Approved Halogen Fixtures
- 50mm Diameter Multilens Reflector
- UV-Cut Halogen Capsule
- Low Voltage - 12 Volts
- 2-Pin Base - GU5.3
- Universal Burn Position
- Integrated Front Glass Cover (/FG)

Watts	Ushio Ordering Code	Ushio Lamp Description	Dimension	Color	Beam		Avg Life h	
			MOL mm	Temp K	Angle	Spread		Max CP cd
WHITESTAR™ High Color Temperature 2-Pin Base – GU5.3								
35	1003340	FMW/FG/WS/4200, WHITESTAR	45.2	4200	36°	Flood	600	4000
35	1003341	FMW/FG/WS/5300, WHITESTAR	45.2	5300	36°	Flood	500	4000
50	1002286	EXZ/FG/WS/4200, WHITESTAR	45.2	4200	24°	Narrow Flood	2000	4000
50	1002249	EXN/FG/WS/4200, WHITESTAR	45.2	4200	36°	Flood	1200	4000
50	1002287	EXT/FG/WS/4700, WHITESTAR	45.2	4700	12°	Spot	5000	4000
50	1003225	EXN/FG/WS/5300, WHITESTAR	45.2	5300	36°	Flood	600	4000
50	1003224	EXZ/FG/WS/5300, WHITESTAR	45.2	5300	24°	Narrow Flood	1100	4000
50	1003226	EXT/FG/WS/6500, WHITESTAR	45.2	6500	12°	Spot	3300	4000
POPSTAR™ Colored Dichroic Lens 2-Pin Base – GU5.3								
50	1000580	FNC/FG, JR12V-50W/FG	45.2	Yellow	12°	Spot	9000	4000
50	1000582	FND/FG, JR12V-50W/FG	45.2	Red	12°	Spot	2000	4000
50	1000584	FNE/FG, JR12V-50W/FG	45.2	Green	12°	Spot	4400	4000
50	1000586	FNF/FG, JR12V-50W/FG	45.2	Blue	12°	Spot	2200	4000
50	1003132	EXT/OR/FG, JR12V-50W/FG	45.2	Orange	12°	Spot	5000	4000
50	1003200	EXT/MG/FG, JR12V-50W/FG	45.2	Magenta	12°	Spot	4400	4000

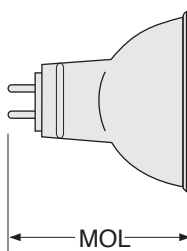
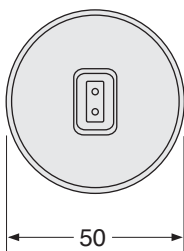


WHITESTAR™



POPSTAR™

Whitestar™ 4200K lamp was designed to provide a full spectrum MR-16 for display and task lighting. This high color temperature lamp projects a high luminous intensity with low ultraviolet and infrared emissions to protect artwork and valuable merchandise.



GU5.3