

SSW-100/SSW-102

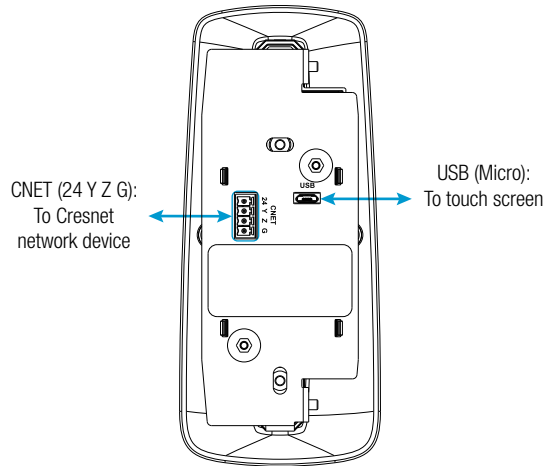
Room Availability Hallway Sign, Wall Mount

DO Connect the SSW

The Crestron® SSW can be powered and controlled using one of the following connection methods:

- **USB:** Use the included USB cable to connect the SSW to a Crestron TSW-560, TSW-760, or TSW-1060 touch screen. Connect the cable's USB A connector to the touch screen and the micro USB connector to the SSW rear assembly. Although the touch screen can be powered using standard PoE (power over Ethernet), it must be powered using PoE+ to supply power to the SSW over USB. Out-of-the-box functionality is established via the scheduling SmartObject® program with no programming required.
- **Cresnet® Network:** Use any standard Cresnet cable (not included) to connect the SSW to a Crestron control system or DMPS device. The SSW is powered and controlled over Cresnet via programming in SIMPL Windows or Crestron Studio® software.

NOTE: The **CNET ID** button on the front of the assembly is used to identify the device on the network using the Network Device Tree View in Crestron Toolbox™ software. For more information, refer to the embedded Crestron Toolbox help file.



NOTE: All cable connections must be made prior to installing the SSW.

NOTE: Use Crestron power supplies for Crestron equipment.

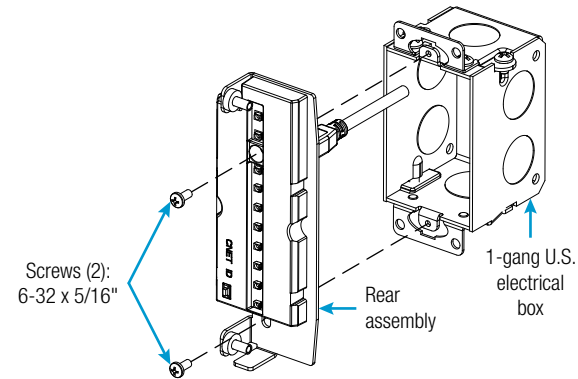
DO Check the Box

QTY	PRODUCT	COLOR	PART NUM.
1	Bezel, Wall Sign	Clear	4525866
1	Cable, USB 2.0, A - micro B, 6' (1.83 m)		2038114
2	Screw, 4-40 x 1/2", SEMS, Pan Head, Phillips		2011592
2	Screw, 6-32 x 5/16", Pan Head, Phillips		2007221
1	Sign, 8.0" x 5.25" x 0.5"		4525763

DO Install the SSW

The SSW installs over a standard 1-gang U.S. electrical box. Use the following procedure to install the SSW:

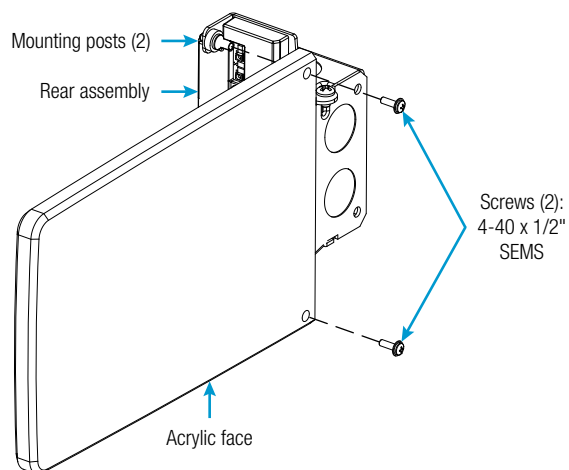
1. Once all cable connections have been made, use the two included 6-32 x 5/16" screws and a Phillips screwdriver (not included) to attach the SSW rear assembly to the electrical box, as shown in the following illustration.



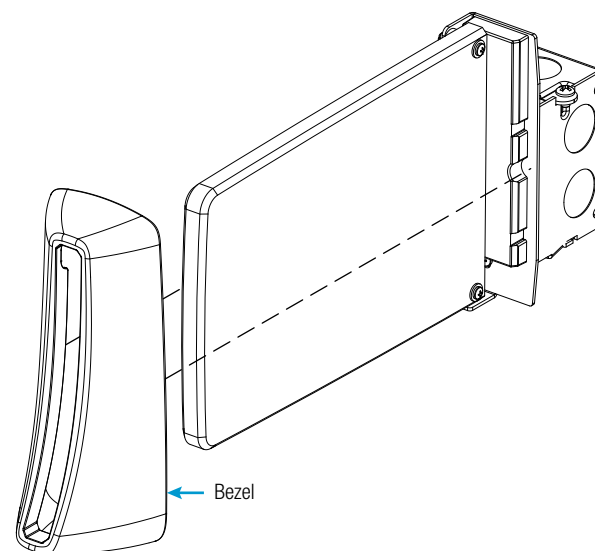
NOTE: For retrofit installations, the SSW can be installed over a 1-gang plaster ring using the same installation method described above.



2. Align the two holes on the acrylic face with the mounting posts on the rear assembly, and then push the acrylic face into the assembly so that the holes completely engage the posts. The acrylic face stays in place once it is hung onto the posts. Then, use the two included 4-40 x 1/2" SEMS screws and a Phillips screwdriver to secure the acrylic face to the posts. Remove the plastic film from the acrylic face once it is secured.



3. To complete the installation, carefully slide the bezel over the acrylic face and across the sign until the bezel is magnetically locked into place against the rear assembly.



DO Learn More

Visit the website for additional information and the latest firmware updates. To learn more about this product, use a QR reader application on your mobile device to scan the QR image.

Crestron Electronics
15 Volvo Drive, Rockleigh, NJ 07647
888.CRESTRON | www.crestron.com



Federal Communications Commission (FCC) Compliance Statement

This device complies with part 15 of the FCC Rules. Operation is subject to the following two conditions:

(1) This device may not cause harmful interference, and (2) this device must accept any interference received, including interference that may cause undesired operation.

CAUTION: Changes or modifications not expressly approved by the manufacturer responsible for compliance could void the user's authority to operate the equipment.

NOTE: This equipment has been tested and found to comply with the limits for a Class B digital device, pursuant to part 15 of the FCC Rules. These limits are designed to provide reasonable protection against harmful interference in a residential installation. This equipment generates, uses and can radiate radio frequency energy and, if not installed and used in accordance with the instructions, may cause harmful interference to radio communications. However, there is no guarantee that interference will not occur in a particular installation.

If this equipment does cause harmful interference to radio or television reception, which can be determined by turning the equipment off and on, the user is encouraged to try to correct the interference by one or more of the following measures:

- Reorient or relocate the receiving antenna.
- Increase the separation between the equipment and receiver.
- Connect the equipment into an outlet on a circuit different from that to which the receiver is connected.
- Consult the dealer or an experienced radio/TV technician for help.

Industry Canada (IC) Compliance Statement

CAN ICES-3(B)/NMB-3(B)

The specific patents that cover Crestron products are listed at <http://www.crestron.com/legal/patents>.

The product warranty can be found at www.crestron.com/warranty.

Certain Crestron products contain open source software. For specific information, please visit www.crestron.com/opensource.

Crestron, the Crestron logo, Cresnet, Crestron Studio, Crestron Toolbox, and SmartObject are either trademarks or registered trademarks of Crestron Electronics, Inc. in the United States and/or other countries. Other trademarks, registered trademarks, and trade names may be used in this document to refer to either the entities claiming the marks and names or their products. Crestron disclaims any proprietary interest in the marks and names of others. Crestron is not responsible for errors in typography or photography.

This document was written by the Technical Publications department at Crestron.

©2017 Crestron Electronics, Inc.