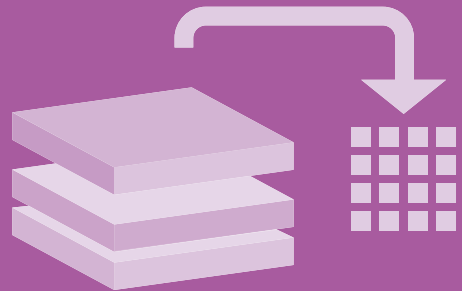


Encoding Platform

4Caster G4



High Performance Multi-Screen Video Processing

Envivio 4Caster™ G4 is a 2-RU high performance computing appliance for broadcast and multi-screen video processing that takes advantage of the latest Intel processor enhancements to significantly increase density, speed and performance while lowering CAPEX/OPEX for operators.

Combined with Envivio Muse™ Live and On-Demand, 4Caster G4 can transcode up to 72 high quality SD or 12 HD channels, with the potential for future density improvements through software update.

Envivio Muse on the 4Caster platform supports a broad range of functions including encoding, transcoding, packaging, encryption and publishing in a single system.

Supported Firmwares

- Muse Live (v3.07 and above)
- Muse On-Demand (v3.51 and above)



Platform Highlights

High processing performances

- Latest generation Intel Xeon processors
- Up to 72 high quality SD or 12 HD channels per chassis

Control and System Level Management

- System level monitoring for overall system, processing node and power supply health status
- Front panel power button, status LED and Network Link/Activity for each node
- IPMI support

Efficient Power Supplies

- 2 redundant hot-swappable modules
- 80+ Platinum grade power supplies featuring 92% efficiency

Hot-swappable processing nodes

- Up to 4 independent processing nodes with IP, HD-SDI or ASI ingest
- Pluggable and cable-free carrier trays
- 3 high speed fans per node preventing single point of failure

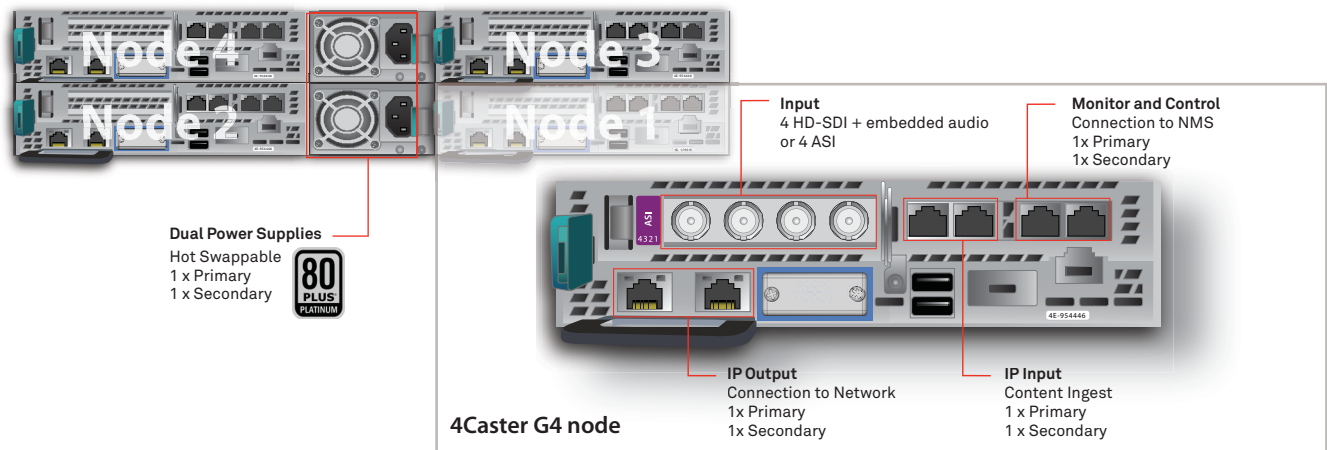
Future-ready

- Designed to support future Software evolutions and HEVC (H.265) encoding

Envivio 4Caster G4 Platform

Input	
Baseband Input	Quad HD/SD-SDI; Quad ASI
IP input	Dual redundant Gigabit Ethernet ports
Monitoring and Control	
Control Interface	Dual Gb Ethernet, monitoring and control ports (primary and spare)
Output	
IP Output	Dual Gb Ethernet ports
Physical and Power	
Form Factor	2RU
Chassis Dimensions (H x W x D)	3.46" (87,9 mm) x 17.24" (438 mm) x 30.35" (733 mm)
Full Chassis Dimensions (H x W x D)	3.46" (87,9 mm) x 17.24" (438 mm) x 31.69" (805 mm), including bezel and power supply latches
Chassis Weight	Fully configured (2 PSU, 4 nodes) 65.5lbs - 30 kg
Power	Input: 100-240 VAC auto-ranging or -48 to -60 VDC Consumption: 270 W per node (1080 W total) Heat dissipation: 921 Btu/hr per node (3685 Btu/hr total) Power supplies: dual load-balancing hot-swappable power supplies
Environmental	Operating temperature: 50 to 95° F (10 to 35° C) Storage temperature: -40 to 158° F (-40 to 70° C) Storage humidity: 50 to 90% non-condensing with a maximum wet bulb of 28° C (82° F)
Agency Certifications	FCC Class A, CE, cTUVus, CB, VCCI, KCC RoHS-compliant, WEEE-compliant
Software Compatibility	
	Version
Muse Live	version 3.07 and above For additional feature information, go to the Muse Live datasheet
Muse On-Demand	version 3.51 and above For additional feature information, go to the Muse On-Demand datasheet

4Caster G4 rear view



envivio®

TV without boundaries.



For more information or to contact Envivio visit: www.envivio.com

Envivio Corporate Headquarters
400 Oyster Point Boulevard, Suite 325
South San Francisco, CA 94080 USA
Tel: +1 650 243 2700
Tel: +1 866 ENVIVIO (368 4846)

Envivio - France
5 rue Louis-Jacques Daguerre
35136 Saint-Jacques de la Lande,
France
Tel: +33 2 23 35 52 60

Envivio - China
Suite 800, Beijing Sunflower Tower
No. 37 Maizidian Street
Chaoyang District
Beijing, 100026, China
Tel: +86 10 8451 1231/1232

Envivio JBO - Japan
15F Cerulean Tower
26-1 Sakuragaoka-cho
Shibuya-ku, Tokyo 150-8512, Japan
Tel: +81 3 5456 5785

Envivio - Singapore
Prudential Tower #27-09
30 Cecil Street
Singapore 049712
Tel: +65 6631 2800